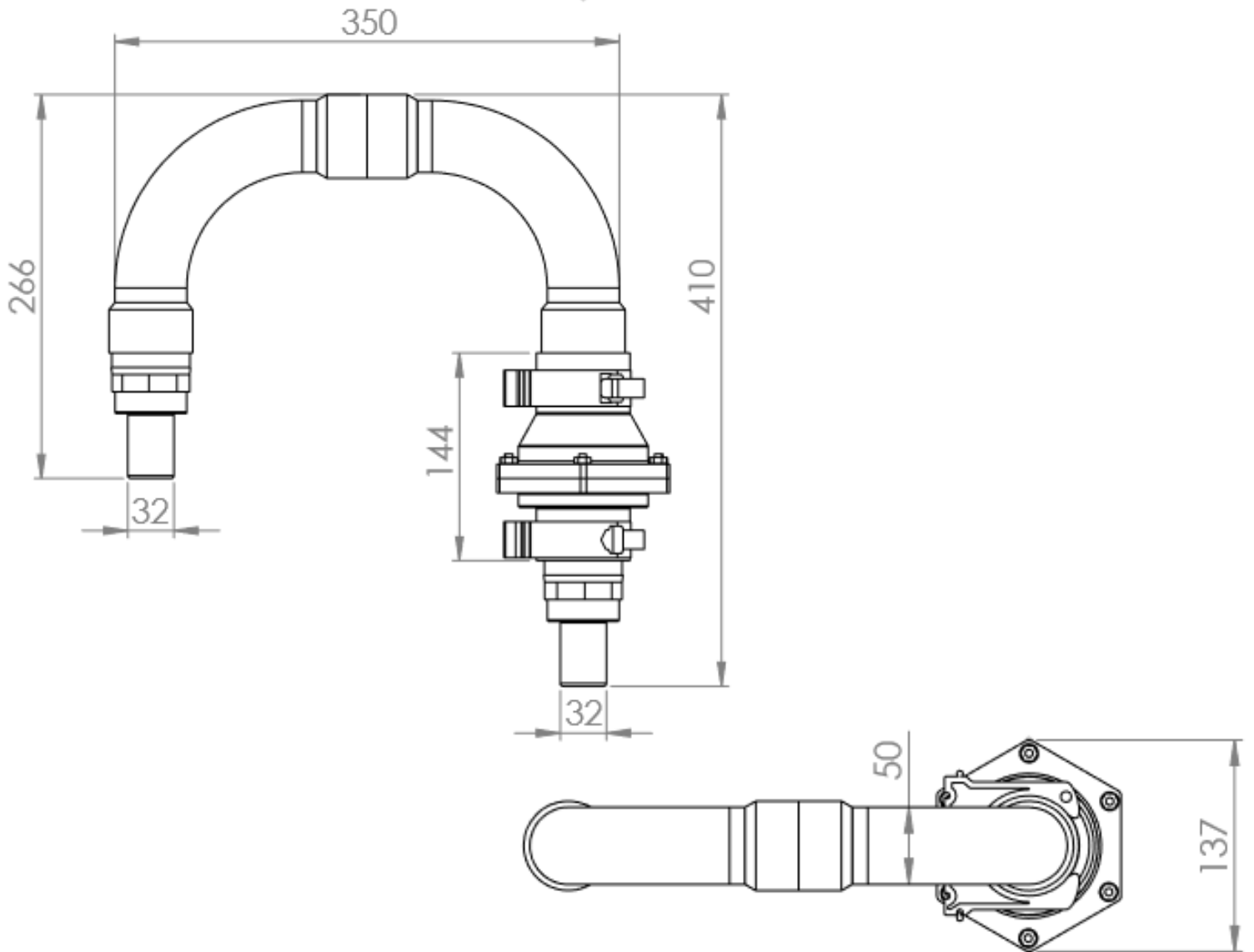


Non-return valve set



Version: 03082020.2

Dimensions are in mm, unless otherwise specified



- weight **1,3 kg**
- pressure loss **0 mbar**

