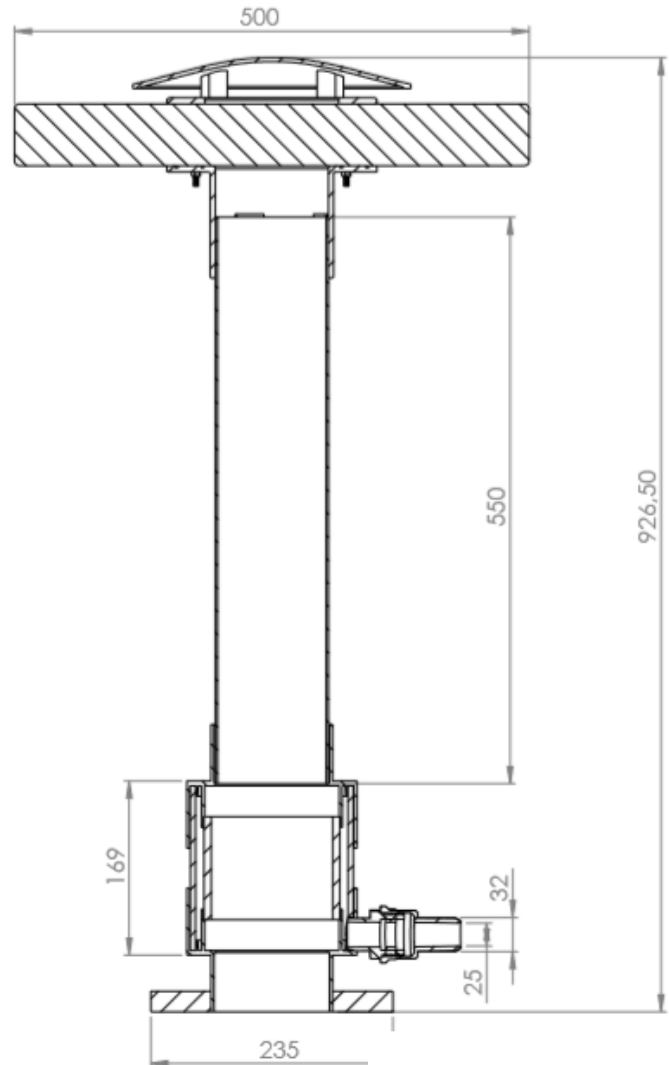
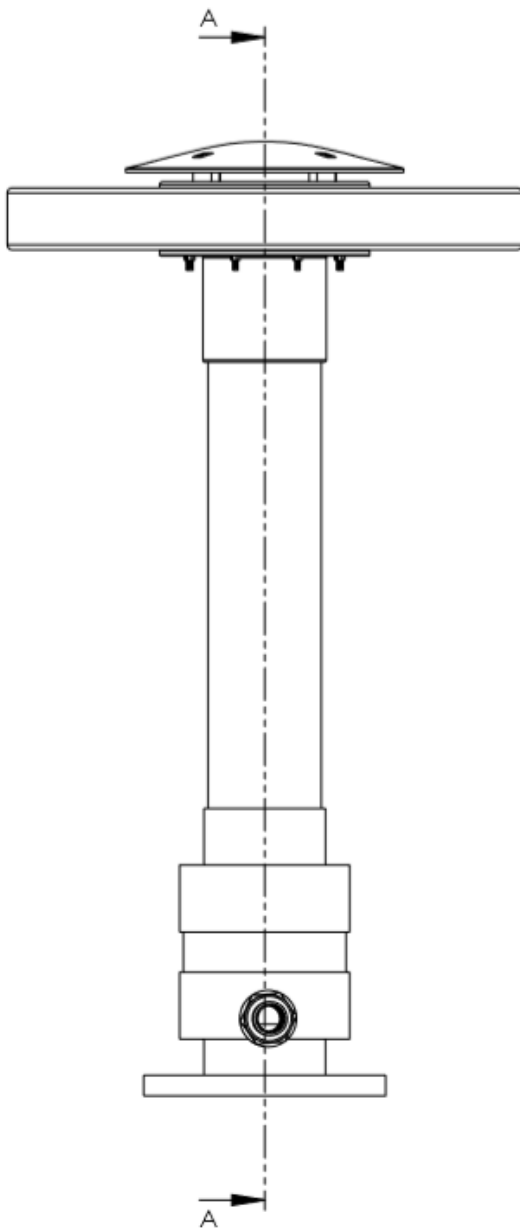


Airlift Aerator Float L OAA.FL590



Dimensions are in mm, unless otherwise specified



SECTION A-A

- weight **10 kg**
- airflow **5-90 m³/h**
- pressure loss **10 Mbar**
- hydrostatic pressure **78 Mbar**

