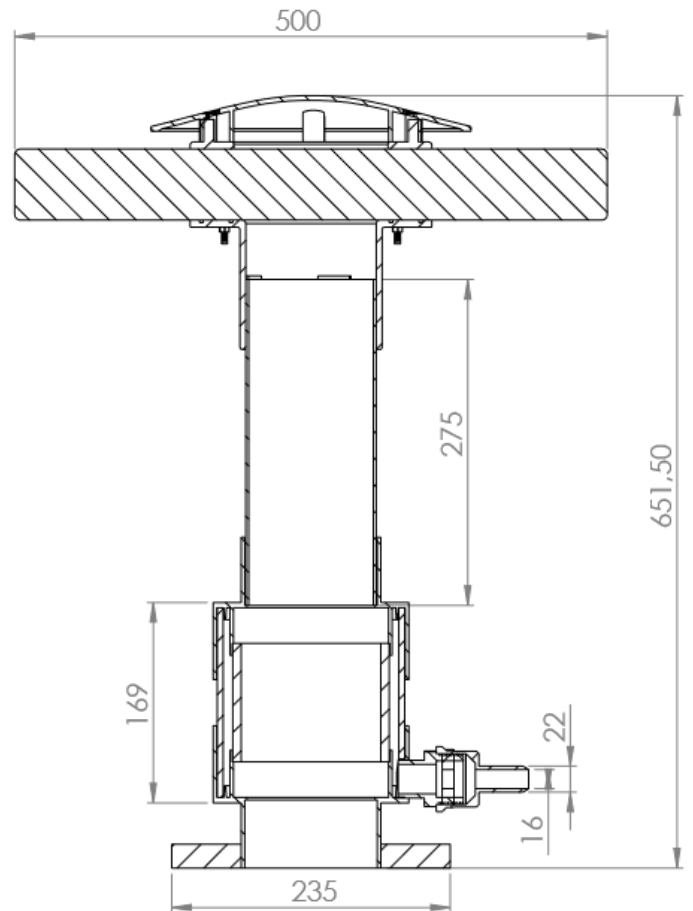
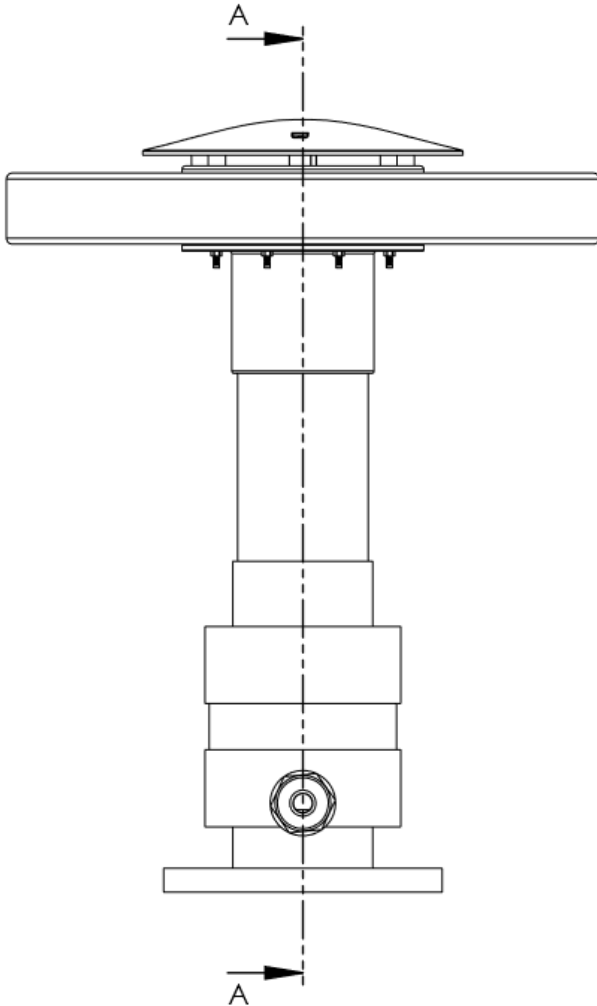


Airlift Aerator Float S OAA.FS590



Dimensions are in mm, unless otherwise specified



SECTION A-A

- weight **9,7 kg**
- airflow **5-90 m³/h**
- pressure loss **10 Mbar**
- hydrostatic pressure **50,5 Mbar**

