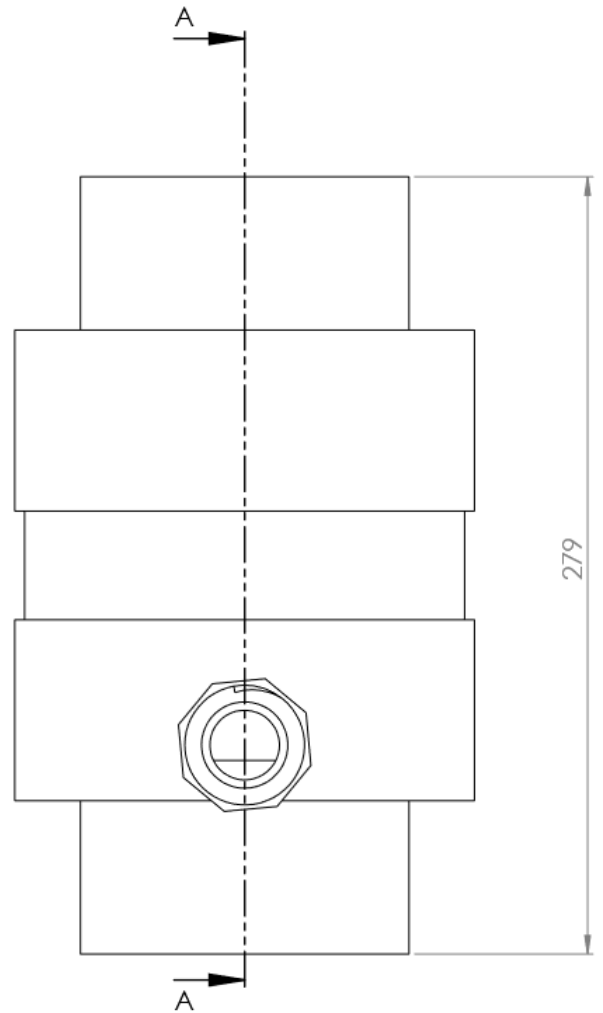
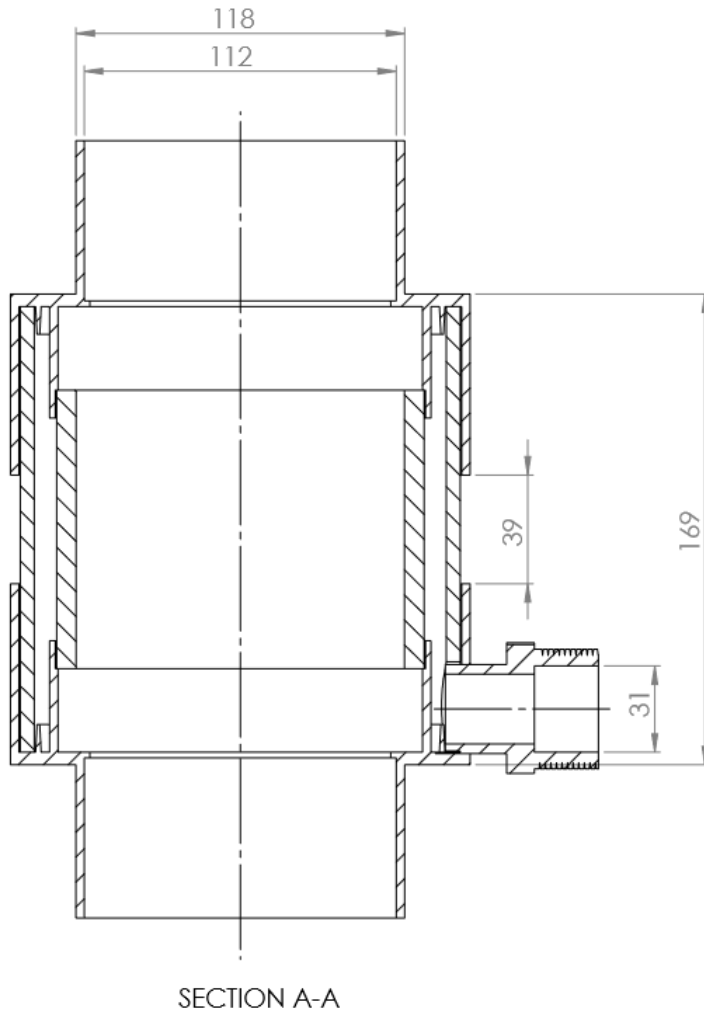


Airlift Aerator Solo OAA.S590

OXYDENT

Dimensions are in mm, unless otherwise specified



- weight **1,4 kg**
- airflow **5-90 m³/h**
- pressure loss **10 Mbar**

