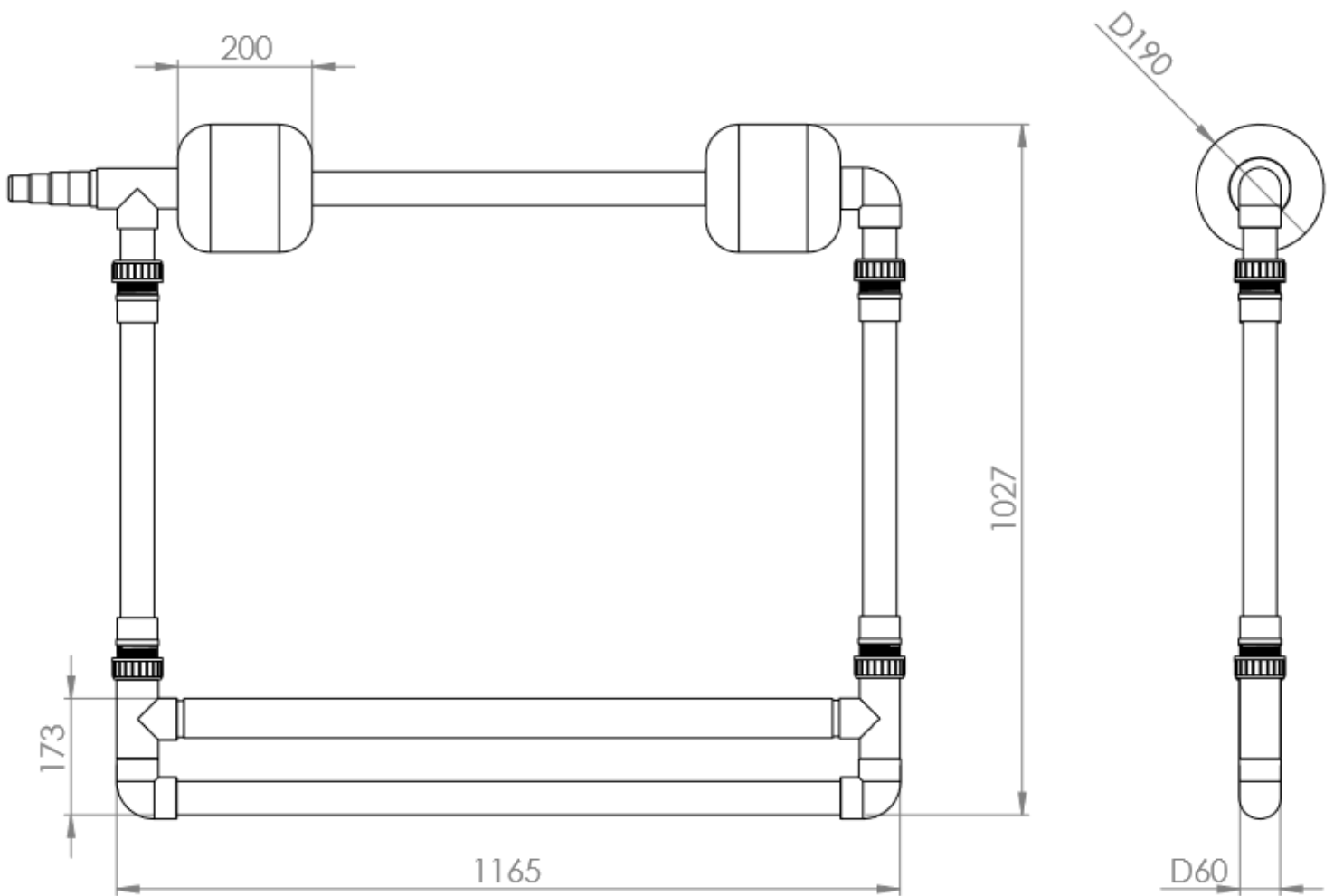


OBA.025



Dimensions are in mm, unless otherwise specified



- weight **15,2 kg**
- airflow **10-25m³/h**
- pressure loss **5-20Mbar**

