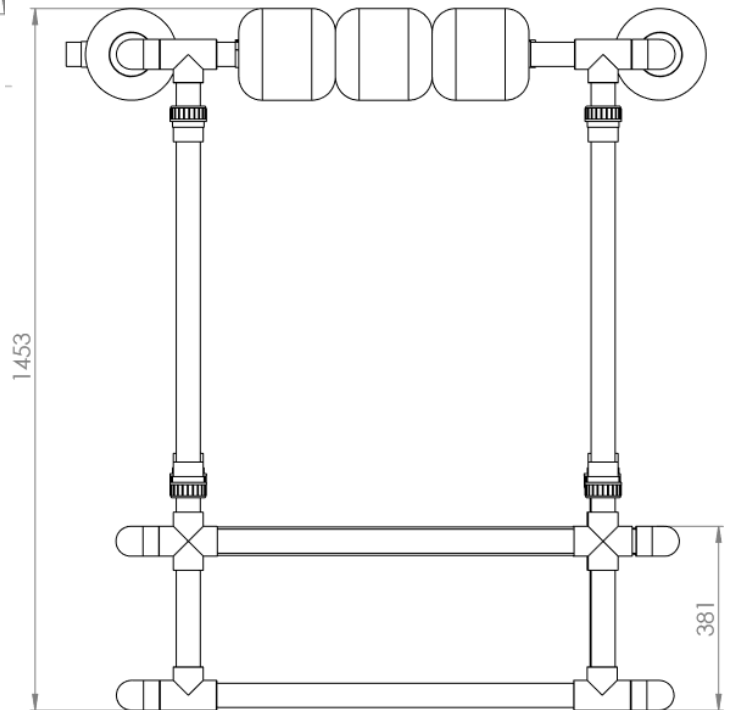
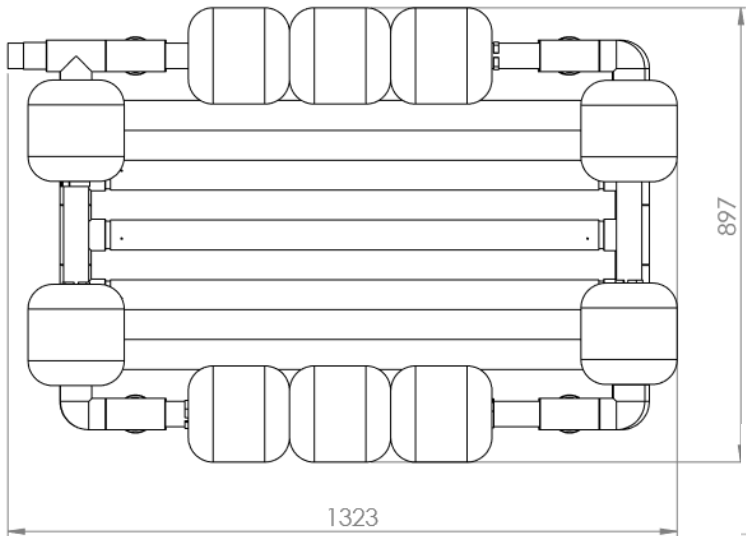


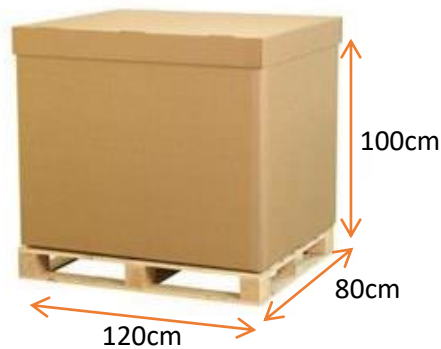
Floating Rack Aerator OFR.250



Dimensions are in mm, unless otherwise specified



- weight **97 kg**
- airflow **250m³/h**
- pressure loss **20Mbar**
- hydrostatic pressure **100Mbar**



Total weight:100kg

