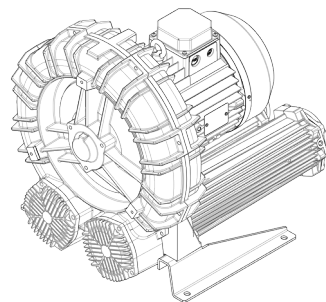




| Technical Characteristics | |
|--|--|
| <ul style="list-style-type: none"> Aluminum alloy construction Smooth operation Maintenance free | |
| Electric Motor | |
| <ul style="list-style-type: none"> IE3 Wide Range cURus Motors IP 55 protection rating, class F insulation, suitable for operating with inverter (refer to FPZ) Thermal Protector (PTO) as standard | |
| Options | |
| <ul style="list-style-type: none"> Special voltages (IEC 60038) Surface treatments Increased seal version | |

| ~3 | [V] (Y / Δ) | | [Hz] |
|------------|-----------------------|-----------------------|------|
| | ≤ 4 kW | > 4 kW | |
| IE3 | 400 / 230 | 690 / 400 | 50 |
| | 460 / 265 | 795 / 460 | 60 |
| Wide Range | 345 - 415 / 200 - 240 | 600 - 720 / 345 - 415 | 50 |
| | 380 - 480 / 220 - 280 | 660 - 830 / 380 - 480 | 60 |

Supply voltage - [Tolerance on the fixed voltage value ± 10%, in range ± 5%.]

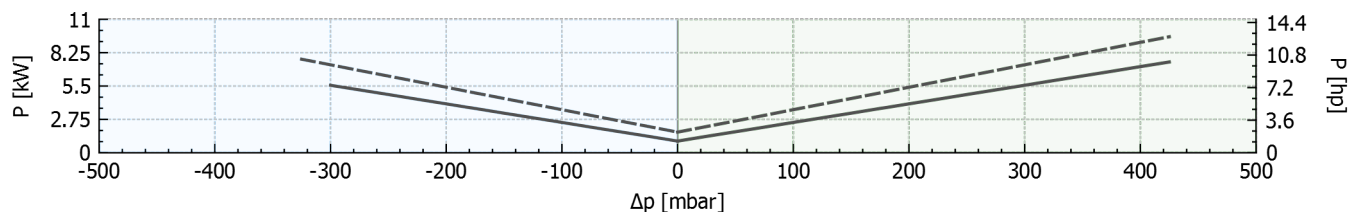
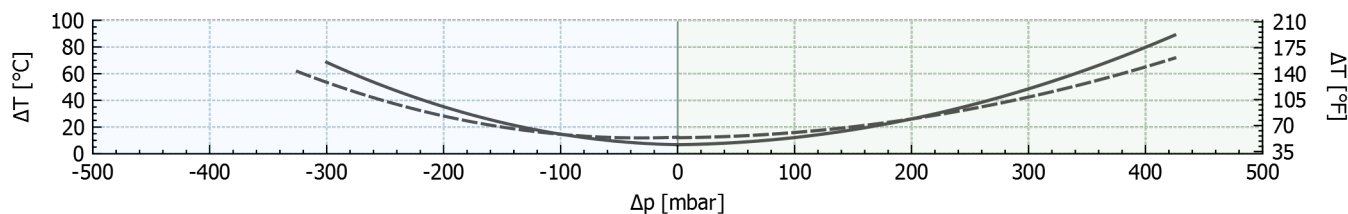
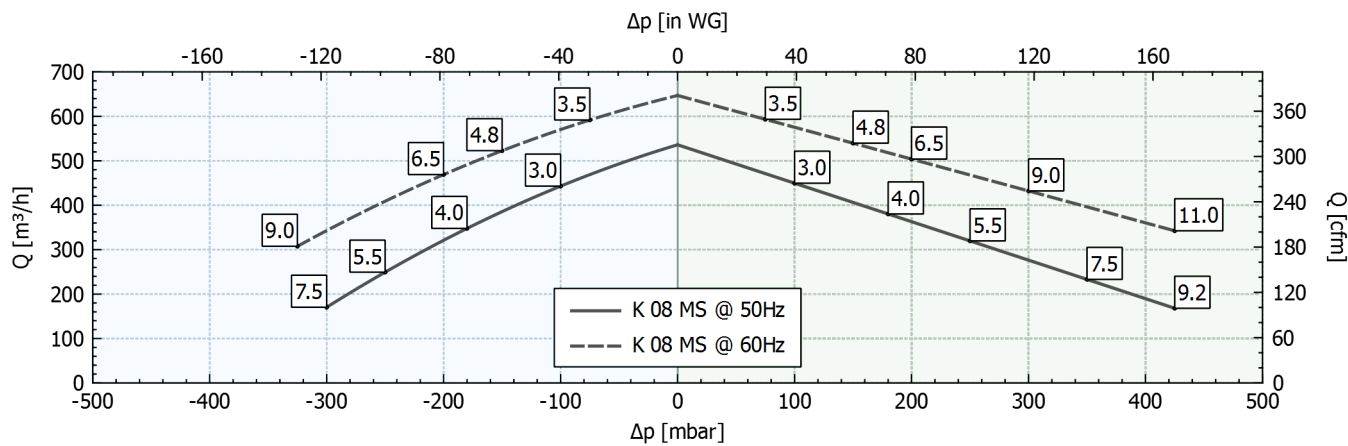


Performance Table

| P _n [kW] | Frequency [Hz] | Δp _{max} [mbar] | | Q _{max} [m³/h] | Leq ¹ [dB(A)] | Weight [kg] | H ² [mm] | Current Consumption (Y/Δ) [A] | | Cosφ [-] | Speed [rpm] |
|---------------------|----------------|--------------------------|-------------|-------------------------|--------------------------|-------------|---------------------|-------------------------------|-----------------------|----------|-------------|
| | | Suction | Compression | | | | | IE3 | Range | | |
| 3 | 50 | 100 | 100 | 536 | 76.5 | 55.3 | 400 | 6.25 / 10.8 | 6.66-6.43 / 11.5-11.1 | 0.80 | 2930 |
| 3.5 | 60 | 75 | 75 | 647 | 78.5 | 55.3 | 400 | 6.20 / 10.7 | 7.05-6.19 / 12.2-10.7 | 0.82 | 3525 |
| 4 | 50 | 180 | 180 | 536 | 76.5 | 56.5 | 415 | 7.93 / 13.7 | 8.55-8.06 / 14.8-14.0 | 0.82 | 2910 |
| 4.8 | 60 | 150 | 150 | 647 | 78.5 | 56.5 | 415 | 7.94 / 13.8 | 9.31-7.93 / 16.1-13.7 | 0.85 | 3500 |
| 5.5 | 50 | 250 | 250 | 536 | 76.5 | 70 | 445 | 6.41 / 11.1 | 6.70-6.64 / 11.6-11.5 | 0.80 | 2940 |
| 6.5 | 60 | 200 | 200 | 647 | 78.5 | 70 | 445 | 6.35 / 11.0 | 7.10-6.41 / 12.3-11.1 | 0.83 | 3530 |
| 7.5 | 50 | 300 | 350 | 536 | 76.5 | 75 | 445 | 8.95 / 15.5 | 9.06-9.30 / 15.7-16.1 | 0.78 | 2940 |
| 9 | 60 | 325 | 300 | 647 | 78.5 | 75 | 445 | 8.78 / 15.2 | 9.71-8.97 / 16.8-15.5 | 0.82 | 3535 |
| 9.2 | 50 | - | 425 | 536 | 76.5 | 80 | 485 | 10.3 / 17.8 | 10.9-10.5 / 18.9-18.1 | 0.83 | 2935 |
| 11 | 60 | - | 425 | 647 | 78.5 | 80 | 485 | 10.2 / 17.7 | 11.7-10.3 / 20.3-17.8 | 0.86 | 3530 |

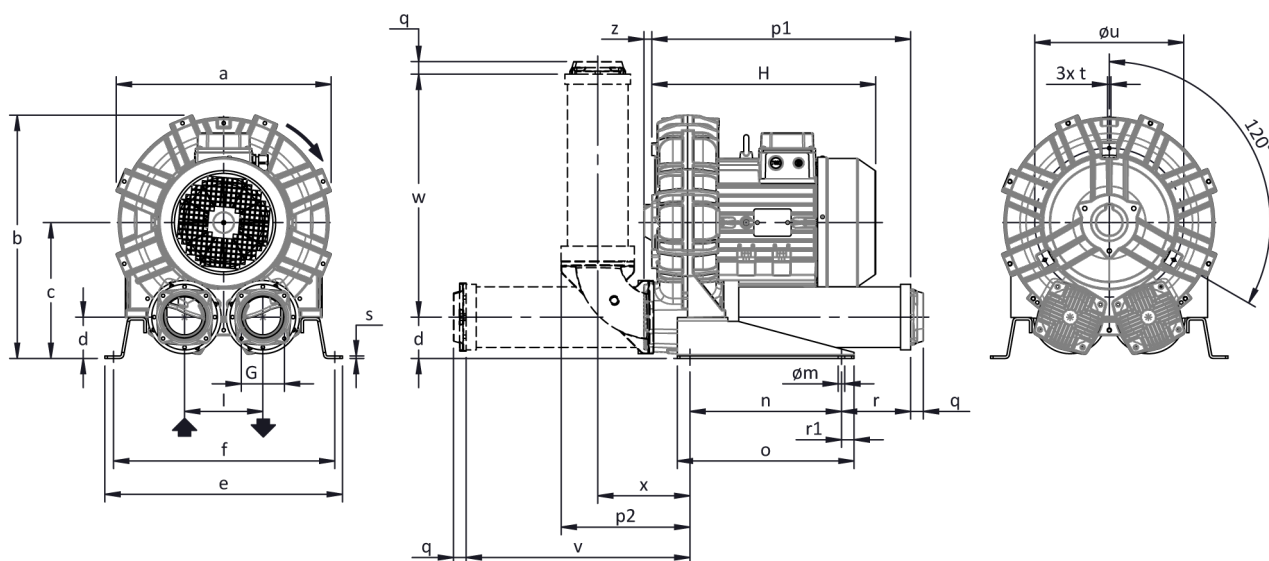
1. Noise level measured at a distance of 1 m with ducted intake and delivery, in accordance with Standard ISO 3744.
 2. See figure "dimensions" at following page.

SUCTION
COMPRESSION



Tolerance on indicated values ± 10%.
 Data subject to change without notice.
 Curves referring to air at a temperature of 20 °C and atmospheric pressure of 1013 mbar (abs).

Dimensions



Configuration with a vertical silencer is only available with the CK accessory kit; for all assembly options refer to FPZ.

Dimensions in mm

NOT Binding

| a | b | c | d | d1 | e | f | G | l | l1 | l2 | m | n | o | p1 | p2 | q | r | r1 | s | t | u | v | w | x | y | z |
|-----|-----|-----|----|----|-----|-----|------|-----|----|----|----|-----|-----|-----|-----|----|-----|----|---|----|-----|-----|-----|-----|---|----|
| 457 | 498 | 269 | 82 | - | 480 | 448 | G 3" | 155 | - | - | 13 | 300 | 350 | 512 | 255 | 25 | 137 | 25 | 5 | M8 | 310 | 443 | 481 | 183 | - | 16 |

INSTALLATION

- For proper operation of the machine, it must be provided with a suction FILTER and a vacuum/pressure limiting VALVE.
- Other accessories are available on request.
- Permissible ambient and fluid temperature in suction from -15 °C to +40 °C.
- Read the instruction manual carefully before installing the machine.