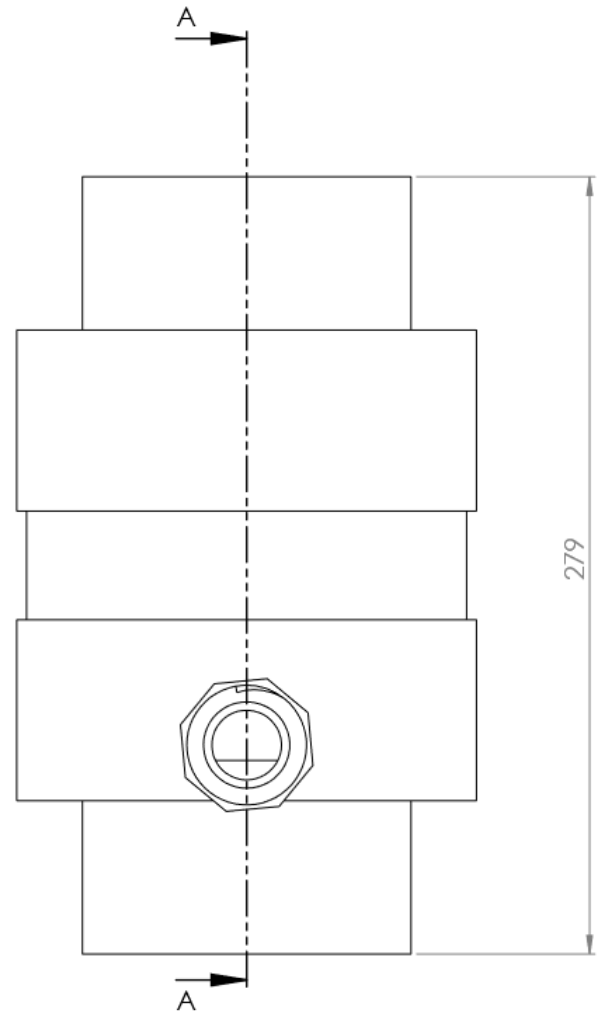
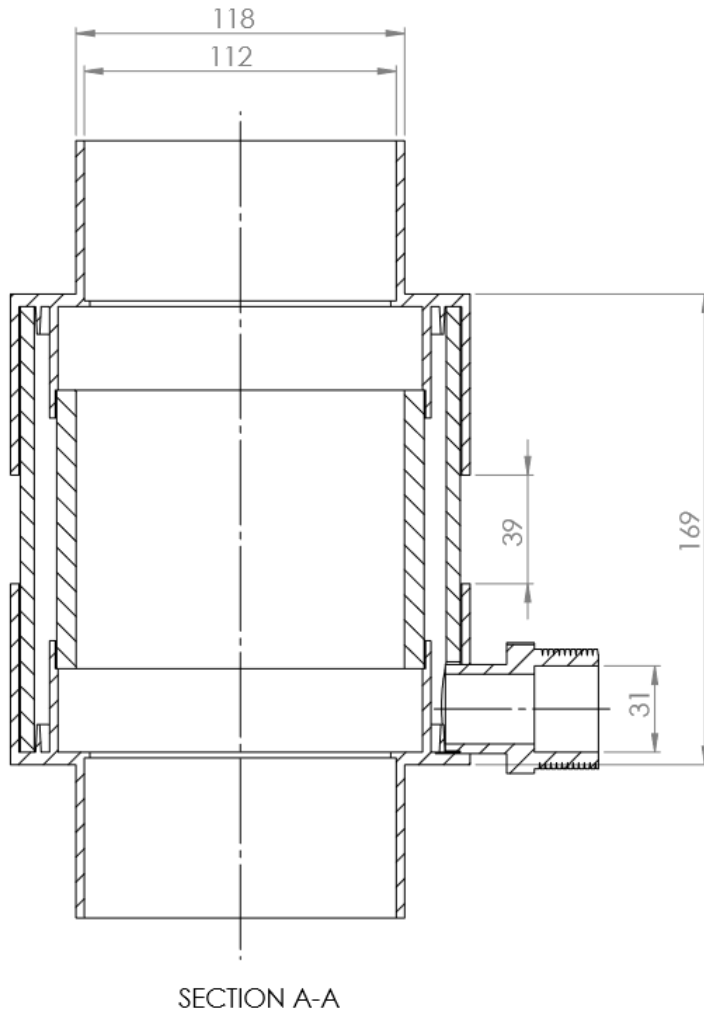


Airlift Aerator Solo OAA.S590

OXYDENT

version: 03082020.2

Dimensions are in mm, unless otherwise specified



- weight **1,4 kg**
- airflow **5-90 m³/h**
- pressure loss **10 mbar**

