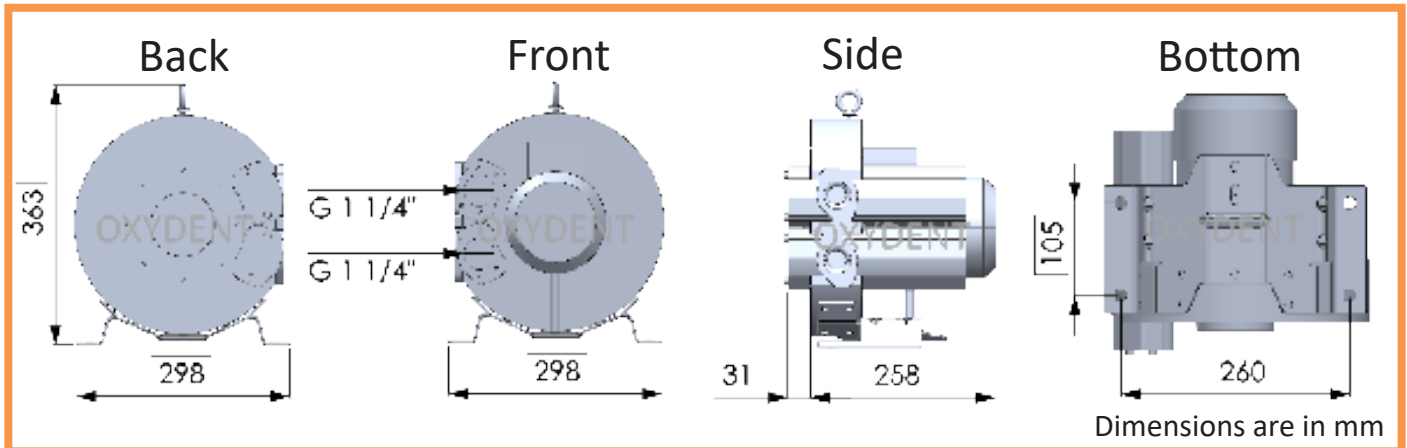


# OB210

# OXYDENT



Power (kW)		Voltage (V) Y		Current (A) Y		Voltage (V) Δ		Current (A) Δ	
50 Hz	60 Hz	50 Hz	60 Hz	50 Hz	60 Hz	50 Hz	60 Hz	50 Hz	60 Hz
0.55	0.63	345-415	380-480	1.6A Y	1.7A Y	200-240	220-275	2.8A Δ	3.0A Δ

## Performance

	mbar	-270	-230	-200	-150	-100	-50	0	75	150	225	290	320
87 Hz	$\dot{V}$ (m <sup>3</sup> /h)		47	52	60	67	74	84	72	62	55		
	P (kW)		0.80	0.73	0.63	0.52	0.41	0.30	0.47	0.63	0.80		
	ΔT (°C)		42	37	27	20	13	10	15	26	35		
72 Hz	$\dot{V}$ (m <sup>3</sup> /h)		32	37	45	51	60	70	58	47	39		
	P (kW)		0.70	0.64	0.54	0.45	0.35	0.25	0.42	0.58	0.75		
	ΔT (°C)		42	37	27	20	13	7	15	26	35		
60 Hz	$\dot{V}$ (m <sup>3</sup> /h)	14	18	24	30	40	50	60	45	34	26	19	17
	P (kW)	0.57	0.51	0.46	0.38	0.31	0.23	0.15	0.28	0.41	0.54	0.65	0.70
	ΔT (°C)	58	42	37	27	20	13	8	15	26	35	47	50
50 Hz	$\dot{V}$ (m <sup>3</sup> /h)		9	12	20	27	38	49	34	22	14	9	
	P (kW)		0.40	0.36	0.30	0.23	0.17	0.10	0.20	0.30	0.39	0.48	
	ΔT (°C)		42	37	27	20	13	9	15	27	37	47	
37 Hz	$\dot{V}$ (m <sup>3</sup> /h)					14	22	35	18	8			
	P (kW)					0.20	0.13	0.05	0.15	0.25			
	ΔT (°C)					20	13	8	15	30			

## Accessories



<b>Net weight:</b>	<b>16 kg</b>
<b>HS-code:</b>	<b>84141089</b>
<b>Sound level range:</b>	<b>57-74 dB*</b>

\*The sound level is indicative and may differ depending on used accessories and application.

Changes of the quoted performance data and weight may occur without prior notice. The data do not give an obligation to deliver as shown.

**Oxydent B.V.** Dijkgraaf 17, The Netherlands T: +31 85 8771928 E: info@oxydent.nl W: www.oxydent.nl