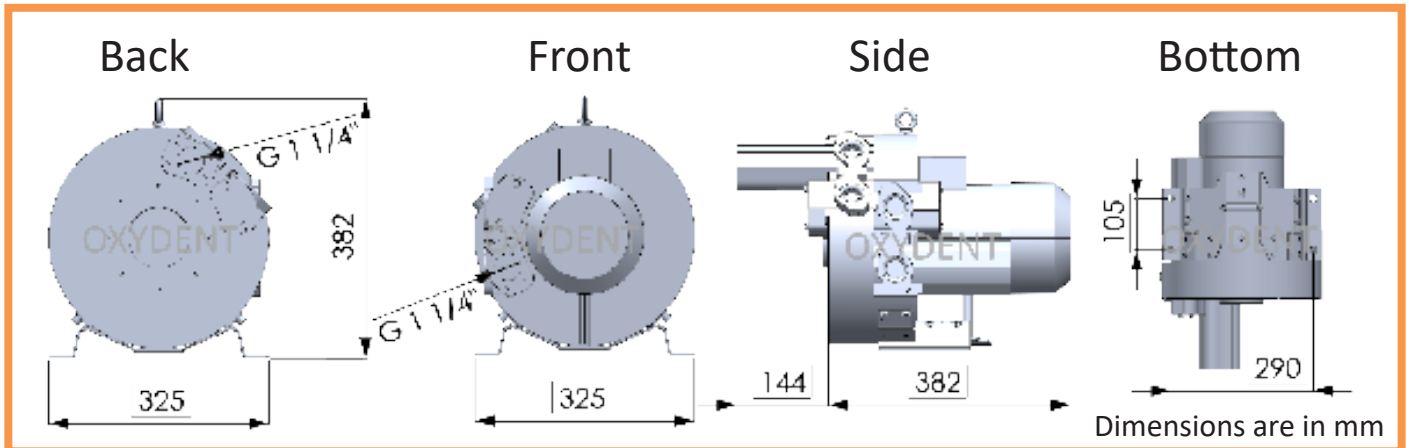


OB320

OXYDENT



Power (kW)		Voltage (V) Y		Current (A) Y		Voltage (V) Δ		Current (A) Δ	
50 Hz	60 Hz	50 Hz	60 Hz	50 Hz	60 Hz	50 Hz	60 Hz	50 Hz	60 Hz
1.50	1.75	350-450	400-500	3.05A Y	2.95A Y	200-260	230-290	5.3A Δ	5.1A Δ

Performance

	mbar	-560	-525	-450	-375	-300	-225	-150	-75	0	75	150	225	300	375	450	525	540	560	
87 Hz	\dot{V} (m ³ /h)		50	62	70	78	87	93	104	113	105	96	90	87	82	78				
	P (kW)		2.50	2.30	2.10	1.90	1.70	1.50	1.30	1.10	1.32	1.53	1.75	1.96	2.18	2.40				
	ΔT (°C)		100	81	66	51	38	27	21	13	22	27	32	41	50	58				
72 Hz	\dot{V} (m ³ /h)		26	40	48	54	64	74	82	96	86	78	71	65	62	56				
	P (kW)		1.90	1.73	1.57	1.40	1.24	1.07	0.91	0.74	0.93	1.13	1.32	1.51	1.71	1.90				
	ΔT (°C)		87	75	61	48	36	26	17	10	20	25	30	38	50	55				
60 Hz	\dot{V} (m ³ /h)	8	19	26	36	46	52	65	72	83	73	62	56	51	46	42	37	35	33	
	P (kW)	1.57	1.50	1.34	1.18	1.02	0.86	0.70	0.54	0.38	0.56	0.75	0.93	1.11	1.30	1.48	1.66	1.70	1.75	
	ΔT (°C)	98	88	73	54	46	33	24	18	9	18	23	28	36	47	54	65	69	72	
50 Hz	\dot{V} (m ³ /h)				24	28	39	49	54	66	56	50	46	38	33	28	25	23		
	P (kW)				0.87	0.75	0.62	0.50	0.37	0.25	0.40	0.54	0.69	0.83	0.98	1.13	1.27	1.30		
	ΔT (°C)				53	46	33	24	18	8	17	23	28	36	47	54	64	68		
37 Hz	\dot{V} (m ³ /h)						9	22	31	49	33	25	19	9						
	P (kW)						0.40	0.32	0.23	0.15	0.26	0.37	0.47	0.58						
	ΔT (°C)						44	26	11	6	17	23	31	45						

Accessories



Net weight:	30 kg
HS-code:	84141089
Sound level range:	59-76 dB*

*The sound level is indicative and may differ depending on used accessories and application.

Changes of the quoted performance data and weight may occur without prior notice. The data do not give an obligation to deliver as shown.

Oxydent B.V. Dijkgraaf 17, The Netherlands T: +31 85 8771928 E: info@oxydent.nl W: www.oxydent.nl