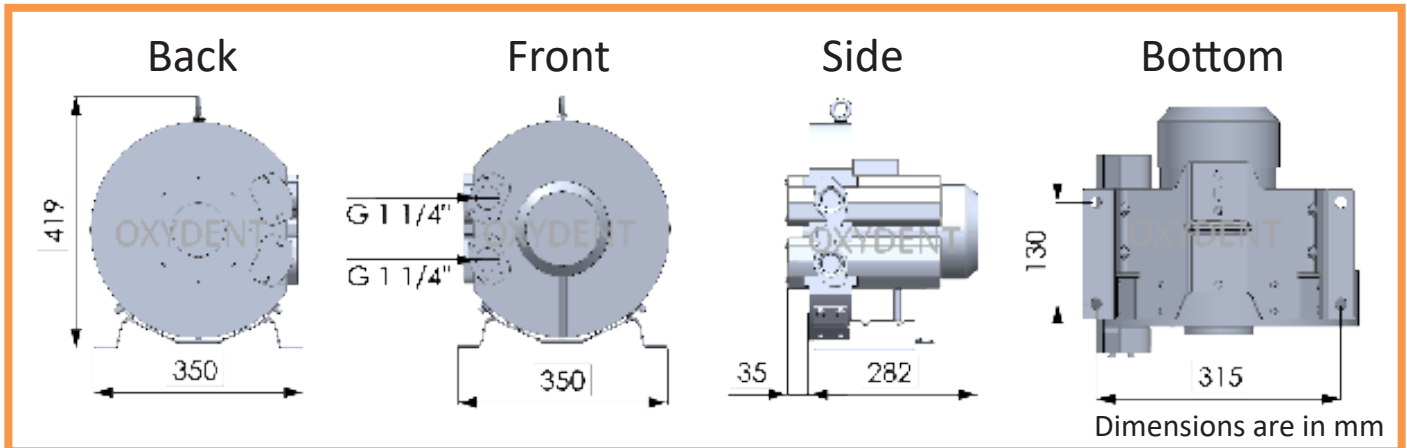


OB410

OXYDENT



Power (kW)		Voltage (V) Y		Current (A) Y		Voltage (V) Δ		Current (A) Δ	
50 Hz	60 Hz	50 Hz	60 Hz	50 Hz	60 Hz	50 Hz	60 Hz	50 Hz	60 Hz
1.10	1.30	345-415	380-480	3.1A Y	3.1A Y	200-240	220-275	5.4A Δ	5.4A Δ

Performance

	mbar	-340	-300	-225	-150	-75	0	75	150	225	300	370	380
87 Hz	\dot{V} (m ³ /h)			97	113	128	147	130	115	105			
	P (kW)			1.70	1.42	1.13	0.85	1.15	1.45	1.75			
	ΔT (°C)			47	27	16	11	19	27	38			
72 Hz	\dot{V} (m ³ /h)		50	71	86	103	124	105	89	77	68		
	P (kW)		1.45	1.21	0.98	0.74	0.50	0.76	1.03	1.29	1.55		
	ΔT (°C)		67	48	26	14	10	16	26	37	44		
60 Hz	\dot{V} (m ³ /h)	8	27	50	68	81	107	86	70	58	47	33	
	P (kW)	1.25	1.14	0.93	0.72	0.51	0.30	0.51	0.71	0.92	1.13	1.32	
	ΔT (°C)	108	80	49	26	13	8	13	21	37	53	76	
50 Hz	\dot{V} (m ³ /h)		7	28	50	69	88	68	50	38	25	9	8
	P (kW)		0.80	0.65	0.50	0.35	0.20	0.37	0.54	0.70	0.87	1.03	1.05
	ΔT (°C)		82	53	27	13	6	12	21	40	63	91	94
37 Hz	\dot{V} (m ³ /h)				17	32	65	36	19				
	P (kW)				0.35	0.23	0.10	0.24	0.38				
	ΔT (°C)				37	15	4	15	31				

Accessories



Net weight:	23 kg
HS-code:	84141089
Sound level range:	58-77 dB*

*The sound level is indicative and may differ depending on used accessories and application.

Changes of the quoted performance data and weight may occur without prior notice. The data do not give an obligation to deliver as shown.

Oxydent B.V. Dijkgraaf 17, The Netherlands T: +31 85 8771928 E: info@oxydent.nl W: www.oxydent.nl