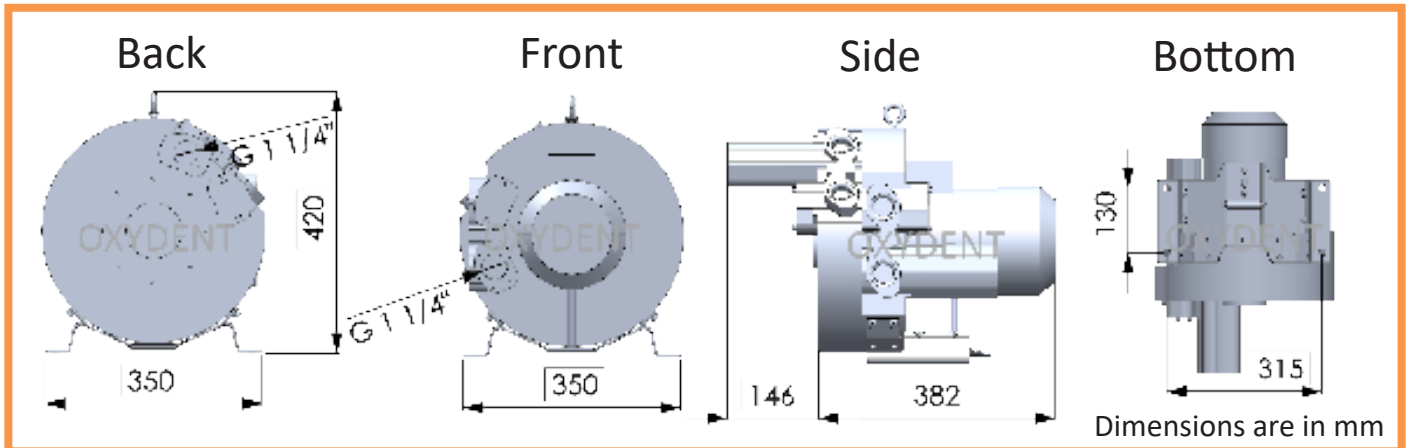


# OB420



Power (kW)		Voltage (V) Y		Current (A) Y		Voltage (V) Δ		Current (A) Δ	
50 Hz	60 Hz	50 Hz	60 Hz	50 Hz	60 Hz	50 Hz	60 Hz	50 Hz	60 Hz
1.50	1.75	350-450	400-500	3.05A Y	2.95A Y	200-260	230-290	5.3A Δ	5.1A Δ

## Performance

	mbar	-480	-430	-375	-300	-225	-150	-75	0	100	200	300	400	410	450
87 Hz	$\dot{V}$ (m <sup>3</sup> /h)				113	122	127	138	147	135	126	118			
	P (kW)				2.30	2.03	1.75	1.48	1.20	1.67	2.13	2.60			
	ΔT (°C)				55	40	30	23	19	36	36	46			
72 Hz	$\dot{V}$ (m <sup>3</sup> /h)			76	87	98	105	115	128	109	101	93			
	P (kW)			2.00	1.74	1.48	1.22	0.96	0.70	1.10	1.50	1.90			
	ΔT (°C)			66	53	40	29	19	15	23	32	43			
60 Hz	$\dot{V}$ (m <sup>3</sup> /h)		38	47	55	72	76	89	107	88	76	68	57	55	
	P (kW)		1.70	1.50	1.30	1.10	0.90	0.70	0.50	0.84	1.18	1.52	1.87	1.9	
	ΔT (°C)		80	65	51	39	28	17	10	18	29	42	55	58	
50 Hz	$\dot{V}$ (m <sup>3</sup> /h)	8	38	26	35	49	60	74	89	73	54	48	38	37	35
	P (kW)	1.5	1.38	1.24	1.05	0.86	0.68	0.49	0.30	0.58	0.86	1.15	1.43	1.46	1.57
	ΔT (°C)	87	77	62	49	34	22	16	8	18	30	41	56	58	62
37 Hz	$\dot{V}$ (m <sup>3</sup> /h)				11	25	34	50	63	46	29	23	12		
	P (kW)				0.80	0.63	0.45	0.28	0.10	0.33	0.55	0.78	1.00		
	ΔT (°C)				47	40	28	16	6	18	31	44	58		

## Accessories



Net weight:	33 kg
HS-code:	84141089
Sound level range:	61-79 dB*

\*The sound level is indicative and may differ depending on used accessories and application.

Changes of the quoted performance data and weight may occur without prior notice. The data do not give an obligation to deliver as shown.

Oxydent B.V. Dijkgraaf 17, The Netherlands T: +31 85 8771928 E: info@oxydent.nl W: www.oxydent.nl