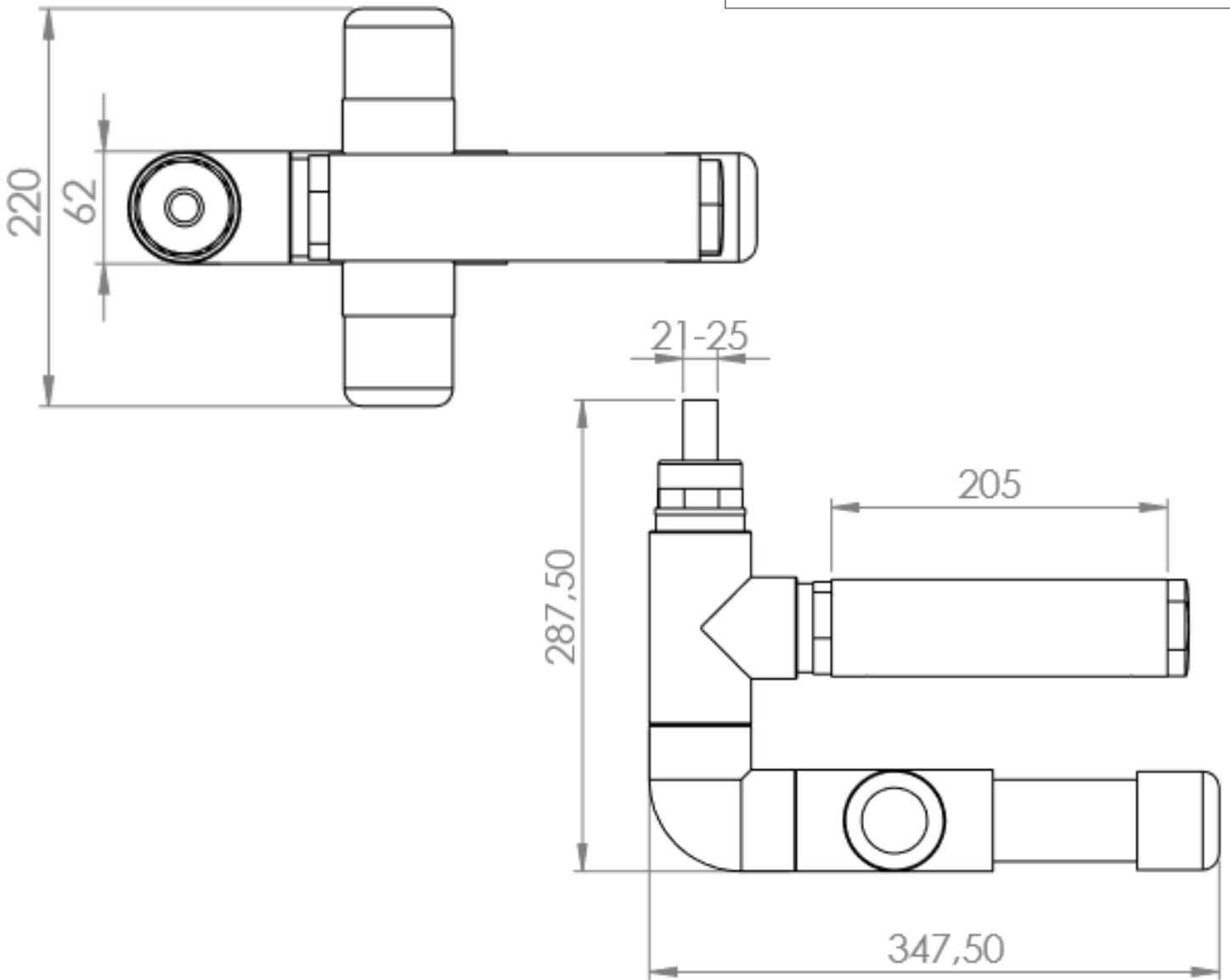


ODH.005



Dimensions are in mm, unless otherwise specified



- weight **3.2 kg**
- airflow **0.5-5m³/h**

