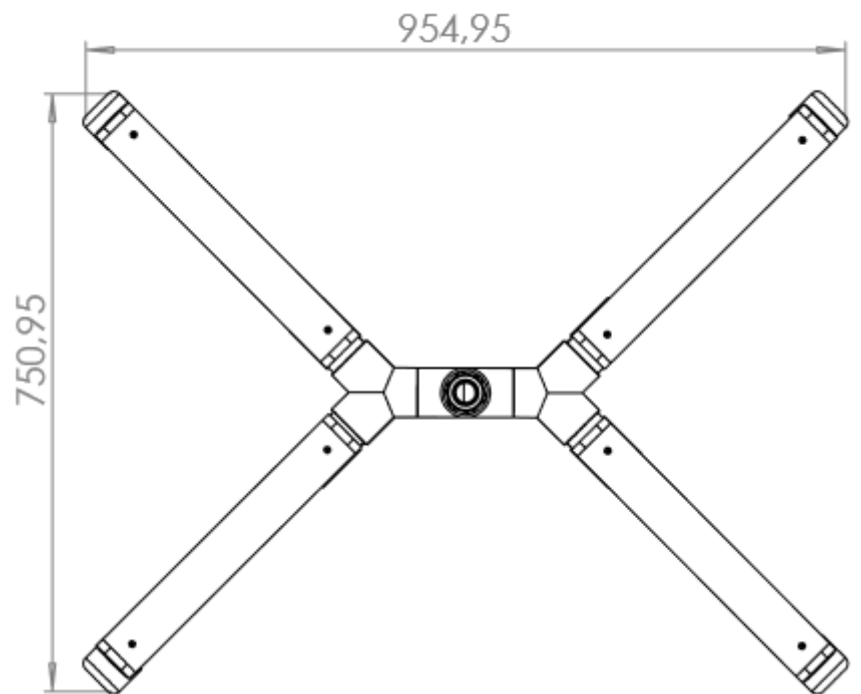
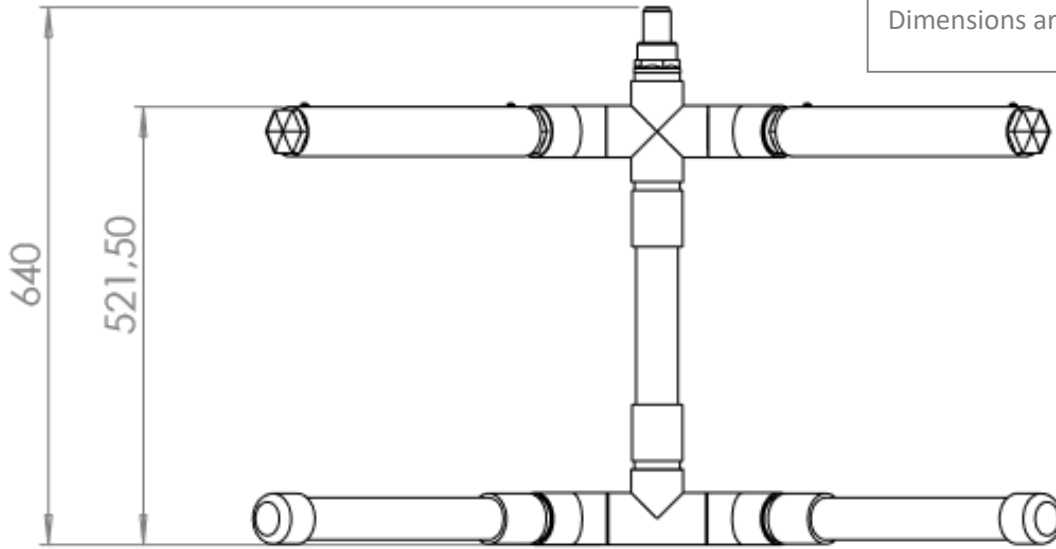


ODH.040

OXYDENT

version: 03082020.2

Dimensions are in mm, unless otherwise specified



- weight **20,8 kg**
- airflow **10-40 m³/h**
- pressure loss **5-20 mbar**

