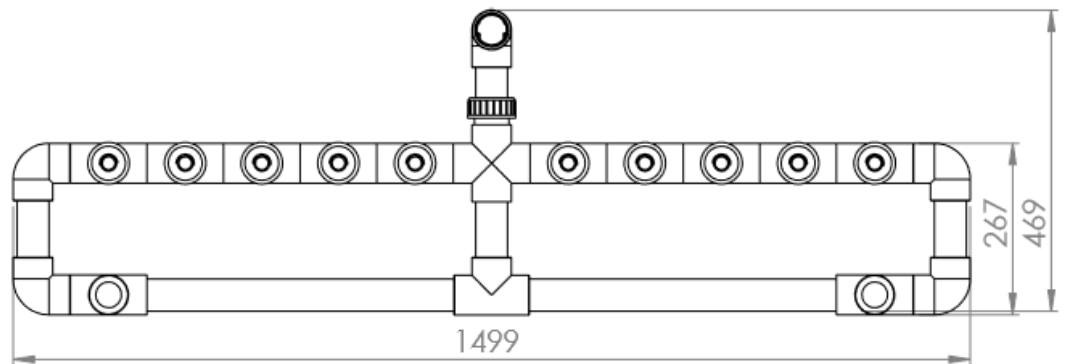
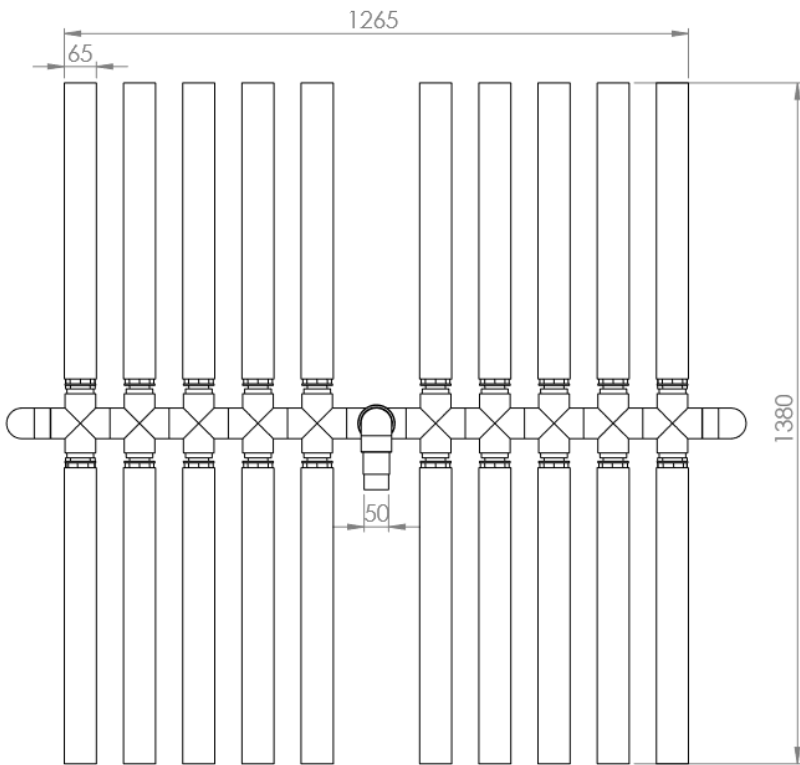


# OMR.100 Oxydent Membrane Rack

# OXYDENT

version: 03082020.2

Dimensions are in mm, unless otherwise specified



- weight **33,5 kg**
- airflow **20-100 m<sup>3</sup>/h**
- pressure loss **50-100 mbar**

