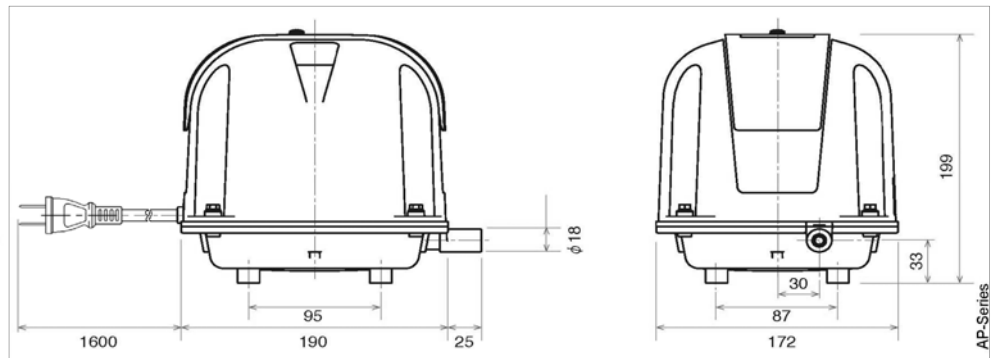


Flow at rated pressure

40 to 46 l/min



Dimensions in mm

Pneumatic Data

| Description | AP-30 | AP-40 |
|---------------------------|-----------------|-----------------|
| Part number ¹⁾ | 52500452 | 52500453 |
| Flow at rated pressure | 40 l/min | 46 l/min |
| Rated pressure | 120 mbar | 120 mbar |
| Operating range | 100 to 230 mbar | 100 to 230 mbar |

Electrical Data

| Motor type | linear drive | linear drive |
|-------------------------------|----------------|----------------|
| Nominal voltage | 230 V 50/60 Hz | 230 V 50/60 Hz |
| Consumption at free flow | 0,3 A / 32 W | 0,4 A / 39 W |
| Consumption at rated pressure | 0,28 A / 25 W | 0,37 A / 29 W |
| Efficiency at rated pressure | 0,63 W/l | 0,63 W/l |

General Data

| Ambient temperature | -10 to 40 °C | -10 to 40 °C |
|---------------------|--------------|--------------|
| Weight | 4,6 kg | 4,6 kg |
| Outlet diameter | 18 mm | 18 mm |
| Average noise level | 32 dB (A) | 34 dB (A) |

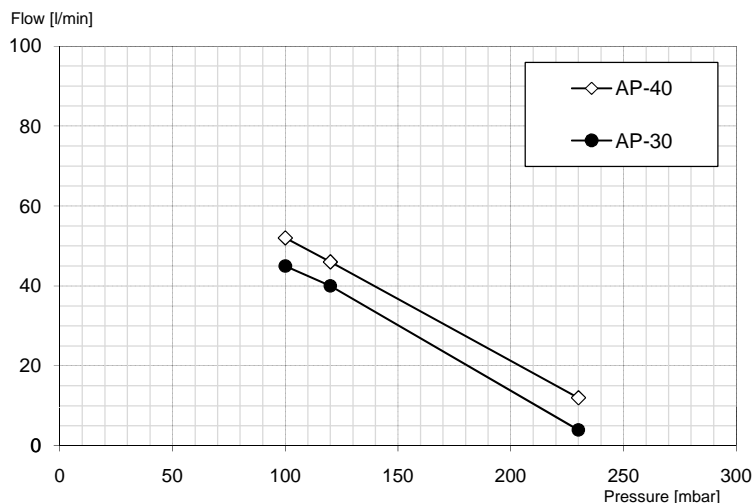
Service Parts

| | Part Numbers | |
|---------------------------|--------------|--------|
| Chamber block set | 700580 | 700580 |
| Air filter and gasket kit | 700582 | 700582 |
| Air filter kit | 700583 | 700583 |
| Protective switch | - | - |

Please refer to the operation and service manual for additional information.

All listed values are measured at standard atmospheric conditions and at 50 Hz.

Flow Curves



Service parts:

Chamber block set consists of:

- 2x Pump head with valves
- 2x Diaphragm
- 2x Diaphragm ring
- 2x Diaphragm gasket
- 2x Nut
- 2x Washer

Air filter and gasket kit consists of:

- 1x Air cleaner element
- 1x Air cleaner gasket
- 1x Cover plate gasket
- 1x Noise absorbing net
- 1x Tank gasket

Air filter kit consists of:

- 5x Air cleaner element
- 5x Air cleaner gasket

Supplied as standard:

Cable with Euro plug

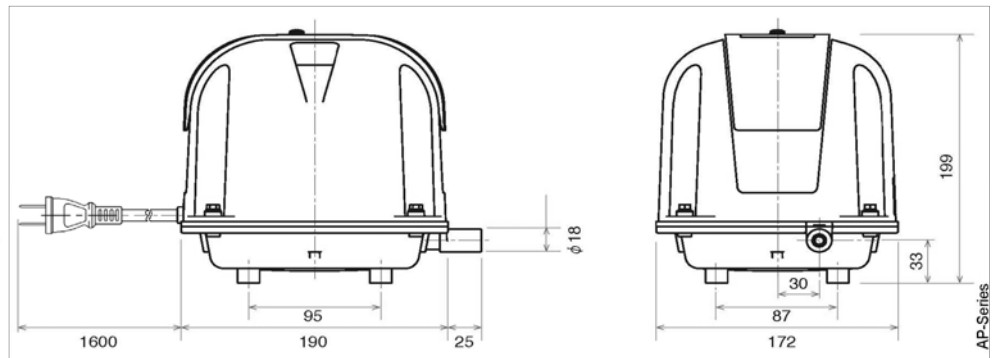
Air connector (part number 700073) consists of:
 1x Outlet hose, angled, 170/50 mm
 2x Hose clamp

525... Stock programme

The information presented in this material is based on technical data and test results of nominal units. It is believed to be accurate and reliable and is offered as an aid to help in the selection of Thomas products. It is the responsibility of the user to determine the suitability of the product for the intended use and the user assumes all risk and liability whatsoever in connection therewith. Thomas does not warrant, guarantee or assume any obligation or liability in connection with this information.

Flow at rated pressure

47 to 125 l/min



Pneumatic Data

| Description | AP-60N | AP-60/80 | AP-80H | AP-100 | AP-120 |
|---------------------------|-----------------|-----------------|-----------------|-----------------|-----------------|
| Part number ¹⁾ | 52500478 | 52500485 | 52500480 | 52500472 | 52500473 |
| Flow at rated pressure | 47 l/min | 60 l/min | 82 l/min | 108 l/min | 125 l/min |
| Rated pressure | 200 mbar | 200 mbar | 200 mbar | 200 mbar | 200 mbar |
| Operating range | 100 to 300 mbar | 100 to 300 mbar | 100 to 300 mbar | 140 to 300 mbar | 160 to 300 mbar |

Electrical Data

| Motor type | linear drive | linear drive | linear drive | linear drive | linear drive |
|-------------------------------|----------------|----------------|----------------|----------------|----------------|
| Nominal voltage | 230 V 50/60 Hz | 230 V 50/60 Hz | 230 V 50/60 Hz | 230 V 50/60 Hz | 230 V 50/60 Hz |
| Consumption at free flow | 0,3 A / 48 W | 0,4 A / 57 W | 0,95 A / 105 W | 1,2 A / 126 W | 1,6 A / 162 W |
| Consumption at rated pressure | 0,26 A / 31 W | 0,34 A / 41 W | 0,8 A / 73 W | 1,06 A / 99 W | 1,45 A / 128 W |
| Efficiency at rated pressure | 0,66 W/l | 0,68 W/l | 0,89 W/l | 0,92 W/l | 1,02 W/l |

General Data

| Ambient temperature | -10 to 40 °C | -10 to 40 °C | -10 to 40 °C | -10 to 40 °C | -10 to 40 °C |
|---------------------|--------------|--------------|--------------|--------------|--------------|
| Weight | 5,8 kg | 5,8 kg | 6,1 kg | 6,1 kg | 6,1 kg |
| Outlet diameter | 18 mm | 18 mm | 18 mm | 18 mm | 18 mm |
| Average noise level | 34 dB (A) | 34 dB (A) | 35 dB (A) | 37 dB (A) | 38 dB (A) |

Service Parts

| Service Parts | Part Numbers | | | | |
|---------------------------|--------------|--------|--------|--------|--------|
| Chamber block set | 700581 | 700581 | 700585 | 700585 | 700585 |
| Air filter and gasket kit | 700582 | 700582 | 700582 | 700582 | 700582 |
| Air filter kit | 700583 | 700583 | 700583 | 700583 | 700583 |
| Protective switch | 700586 | 700586 | 700586 | 700586 | 700586 |

¹⁾ Standard version with cable and Schuko plug; if signal cable for connection of e.g. light/ buzzer is needed please contact us

Please refer to the operation and service manual for additional information.

All listed values are measured at standard atmospheric conditions and at 50 Hz.

Service parts:

Chamber block set consists of:

- 2x Pump head with valves
- 2x Diaphragm
- 2x Diaphragm ring
- 2x Diaphragm gasket
- 2x Nut
- 2x Washer

Air filter and gasket kit consists of:

- 1x Air cleaner element
- 1x Air cleaner gasket
- 1x Cover plate gasket
- 1x Noise absorbing net
- 1x Tank gasket

Air filter kit consists of:

- 5x Air cleaner element
- 5x Air cleaner gasket

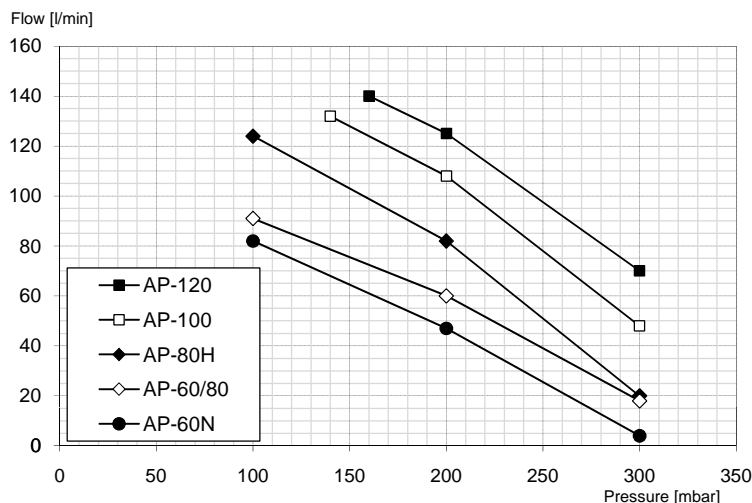
Protective switch consists of:

- 1x Microswitch
- 2x Nut
- 2x Washer
- 1x Cover plate gasket

Supplied as standard:

- Cable with Euro plug
- Air connector (part number 700073) consists of:
 - 1x Outlet hose, angled, 170/50mm
 - 2x Hose clamp

Flow Curves



525... Stock programme

The information presented in this material is based on technical data and test results of nominal units. It is believed to be accurate and reliable and is offered as an aid to help in the selection of Thomas products. It is the responsibility of the user to determine the suitability of the product for the intended use and the user assumes all risk and liability whatsoever in connection therewith. Thomas does not warrant, guarantee or assume any obligation or liability in connection with this information.