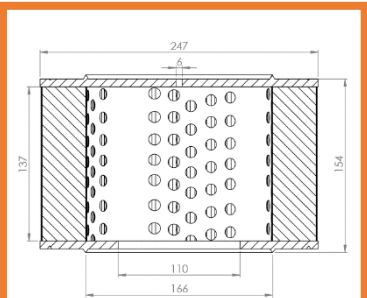
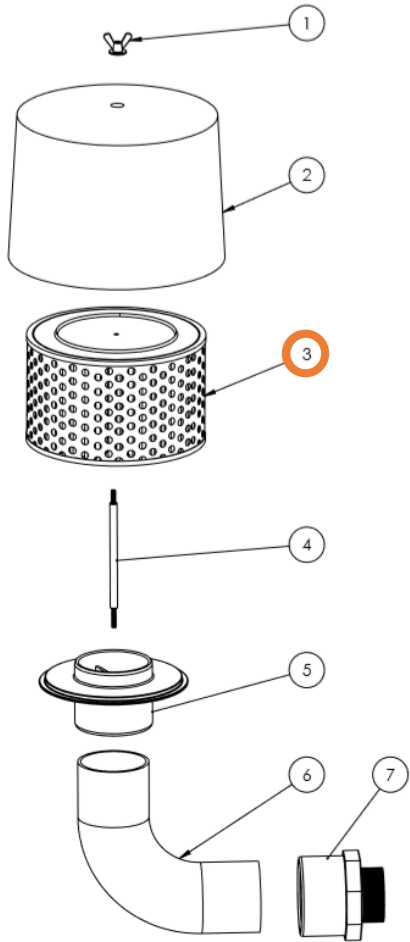


V45.001/V45.065 complete

1	2	3	4	5	6	7	Order
Wingnut	Cover (V46)	Element (V45)	Shaft (V45)	Holder (FH.45)	Bend (90° 110x110 12,5 bar)	Adaptor nipple (2 1/2")	V45.001 (Paper) V45.P01 (Polyester) V45.H01 (HEPA) V45.I01 (Inox)
Nylon	ABS	See nr.3	1.4305	ABS	PVC-u	PVC-u	



Element options:

- Paper 5µm
- Polyester 5µm
- HEPA EU 13
- Inox 30µm

