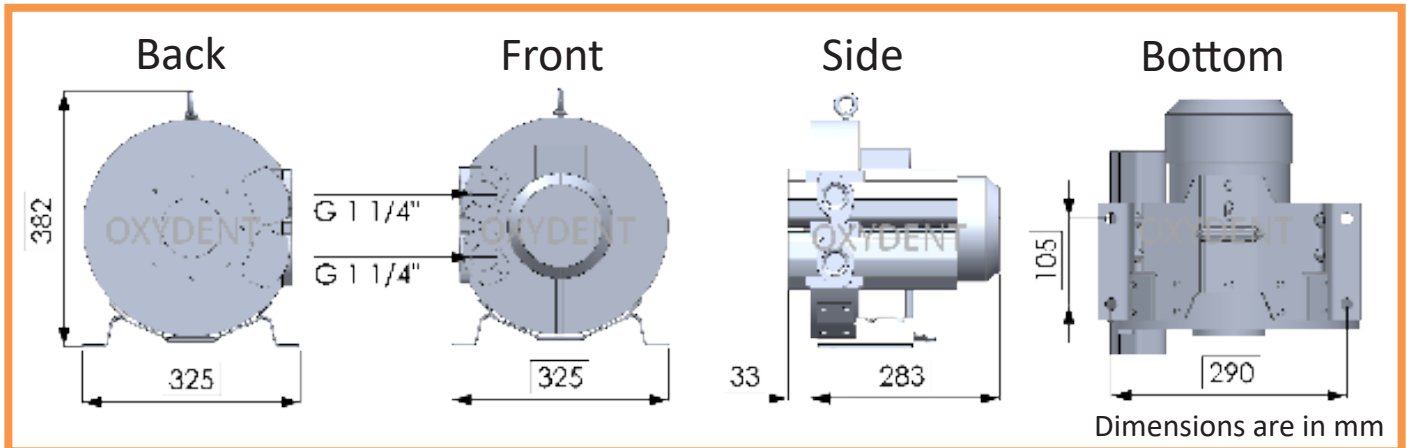


# OB310

# OXYDENT



Power (kW)		Voltage (V) Y		Current (A) Y		Voltage (V) Δ		Current (A) Δ	
50 Hz	60 Hz	50 Hz	60 Hz	50 Hz	60 Hz	50 Hz	60 Hz	50 Hz	60 Hz
0.81	0.94	345-415	380-480	2.3A Y	2.3A Y	200-240	220-275	4.0A Δ	4.0A Δ

## Performance

	mbar	-375	-300	-225	-150	-75	0	75	150	225	300	350	360
87 Hz	$\dot{V}$ (m <sup>3</sup> /h)	38	55	69	79	96	112	98	82	76	69	63	60
	P (kW)	1.65	1.42	1.19	0.96	0.73	0.50	0.75	1.00	1.25	1.50	1.67	1.70
	ΔT (°C)	100	72	46	29	17	12	17	27	37	50	60	63
72 Hz	$\dot{V}$ (m <sup>3</sup> /h)	17	35	50	63	77	92	78	65	59	48	40	38
	P (kW)	1.26	1.07	0.88	0.70	0.51	0.32	0.52	0.73	0.93	1.14	1.27	1.30
	ΔT (°C)	113	75	47	28	14	7	16	26	38	55	67	70
60 Hz	$\dot{V}$ (m <sup>3</sup> /h)		18	36	48	63	83	64	51	40	31	23	21
	P (kW)		0.78	0.62	0.47	0.31	0.15	0.32	0.49	0.66	0.83	0.95	0.97
	ΔT (°C)		76	47	27	12	5	12	24	36	57	75	77
50 Hz	$\dot{V}$ (m <sup>3</sup> /h)			21	35	48	69	50	37	26	16	12	
	P (kW)			0.51	0.37	0.24	0.10	0.25	0.40	0.55	0.70	0.80	
	ΔT (°C)			52	29	17	4	12	25	40	63	80	
37 Hz	$\dot{V}$ (m <sup>3</sup> /h)				11	25	50	25	13				
	P (kW)				0.27	0.16	0.05	0.17	0.29				
	ΔT (°C)				35	17	4	16	32				

## Accessories



<b>Net weight:</b>	<b>17 kg</b>
<b>HS-code:</b>	<b>84141089</b>
<b>Sound level range:</b>	<b>57-76 dB*</b>

\*The sound level is indicative and may differ depending on used accessories and application.

Changes of the quoted performance data and weight may occur without prior notice. The data do not give an obligation to deliver as shown.

**Oxydent B.V.** Dijkgraaf 17, The Netherlands T: +31 85 8771928 E: info@oxydent.nl W: www.oxydent.nl