



FPZ
BLOWER TECHNOLOGY



SERIES R - MD MOR & GOR

EU VERSION

CHARACTERISTICS

- **Aluminium alloy construction**
- Available in monoblock execution (MOR) and with coupling (GOR)
- Electric motors equipped with thermal protection (PTO)
- Painted

OPTIONS

- Special voltages (IEC 60038)
- Sealed version
- Motor protection with PTC
- Unpainted



COMPANY WITH
QUALITY SYSTEM
CERTIFIED BY DNV GL
= ISO 9001 =



Technical data

SIDE CHANNEL BLOWERS - EXHAUSTERS



SPECIFICATIONS

Model	P _n kW	Frequency [Hz]	Δp _{max} [mbar]		Q _{max} [m³/h]	Leq ¹ [dB(A)]	Product Code in STD Configuration		
			Suction	Compression			Three-phase (MOR)	Three-phase (GOR)	Single-phase (MOR)
R20-MD	0.75	50	300	325	60	66.0	SR20MD00+0029	SR20MD00+0027	SR20MD00+0025
	0.9	60	300	275	70	68.0			-
	1.1	50	(300)	400	60	66.5	SR20MD00+0030	SR20MD00+0028	SR20MD00+0026
	1.3	60	350	450	70	68.5			-
R30-MD	1.1	50	300	325	91	69.2	SR30MD00+0028	SR30MD00+0026	SR30MD00+0023
	1.3	60	325	300	110	72.2			-
	1.5	50	350	425	91	69.7	SR30MD00+0029	SR30MD00+0027	SR30MD00+0024
	1.7	60	375	425	110	72.8			-
R40-MD	2.2	50	350	425	117	70.8	SR40MD00+0010	SR40MD00+0008	SR40MD00+0006
	2.6	60	375	400	137	72.8			-
	3.0	50	(350)	500	117	71.3	SR40MD00+0011	SR40MD00+0009	-
	3.5	60	(375)	500	137	73.3			-

Table 1. Fluid dynamic performance of the blowers with relative installed powers and STD product codes.

BLOWER CONFIGURATIONS

Motors

Three-phase and single-phase motors are available. The characteristics for three-phase motors for "MOR" and "GOR" executions are listed in Table 2. All STD three-phase motors have **IP 55 protection rating**. All motors for "MOR" executions are also **IE2** and **Wide Range**.

Model	Execution	Electric Motor			
		High Efficiency (IE2)	Wide Range	Thermal Protection	
				PTO	PTC
R20-MD	MOR	STD	STD	STD	Optional
	GOR	STD	-	STD	Optional
R30-MD	MOR	STD	STD	STD	Optional
	GOR	STD	-	STD	Optional
R40-MD	MOR	STD	STD	STD	Optional
	GOR	STD	-	STD	Optional

Table 2. Blower configurations with reference to the electric motor.

INSTALLATION

- For proper operation of the machine, it must be provided with a suction FILTER and a vacuum/pressure limiting VALVE.
- Other accessories are available on request.
- Permissible ambient and fluid temperature in suction from -15 °C to +40 °C.
- Read the instruction manual carefully before installing the machine.

ELECTRIC MOTOR SPECIFICATIONS

Type of motor	Power supply voltage (Δ / Y) [V]	Frequency [Hz]
IE2	230 / 400	50
	265 / 460 (not IE2)	60
Wide Range	200 – 240 / 345 – 415	50
	220 – 280 / 380 - 480	60
SINGLE-PHASE	230	50

Table 3. Electric motor rating for the different configurations.

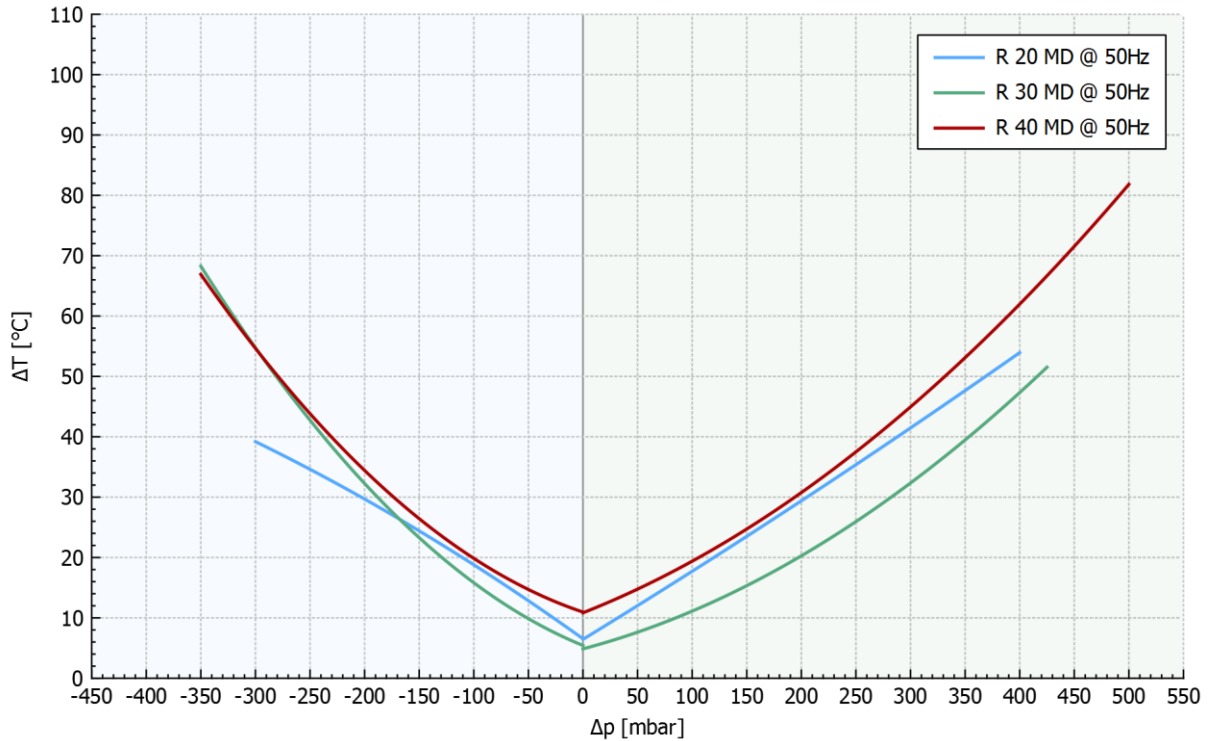
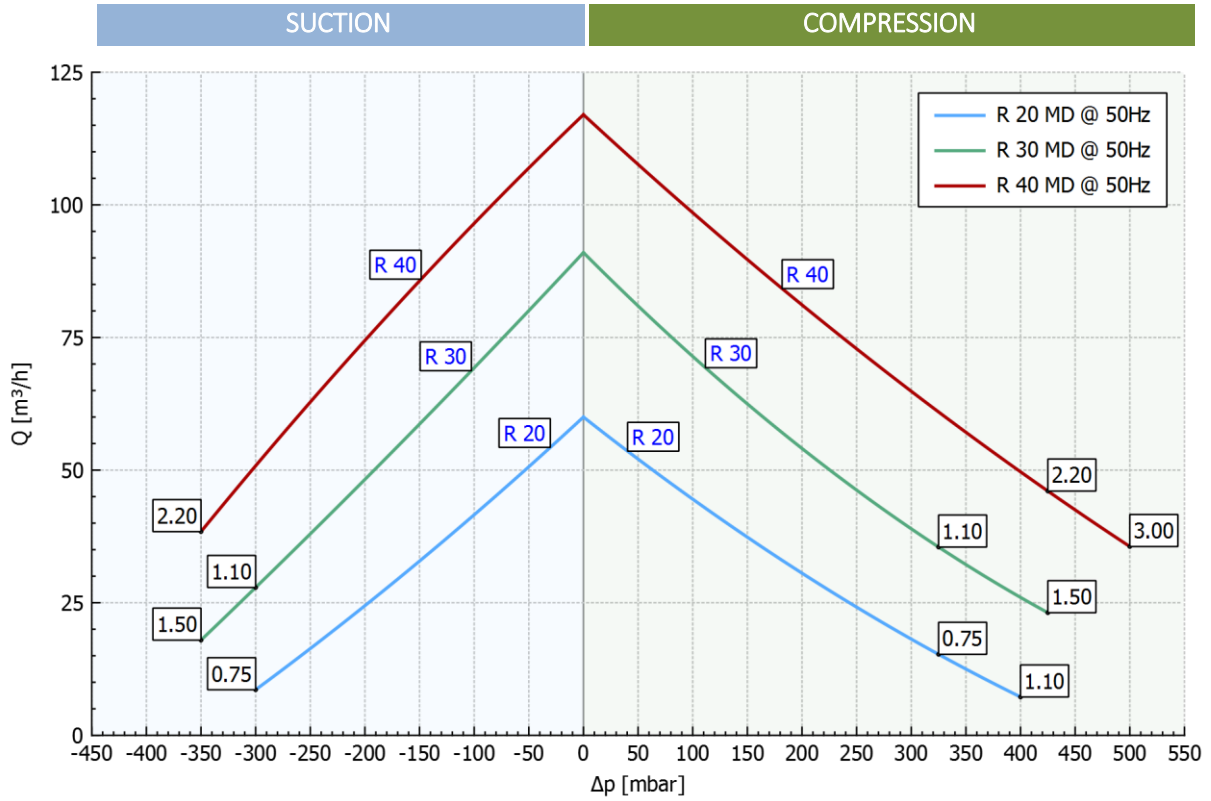
¹ Noise level measured at a distance of 1 m with ducted intake and delivery, in accordance with Standard ISO 3744.

Tolerance on the fixed voltage value ± 10%, in range ± 5%.

Motors with class F insulation, suitable for operating "under inverter" * refer to FPZ, with IP 55 protection rating.



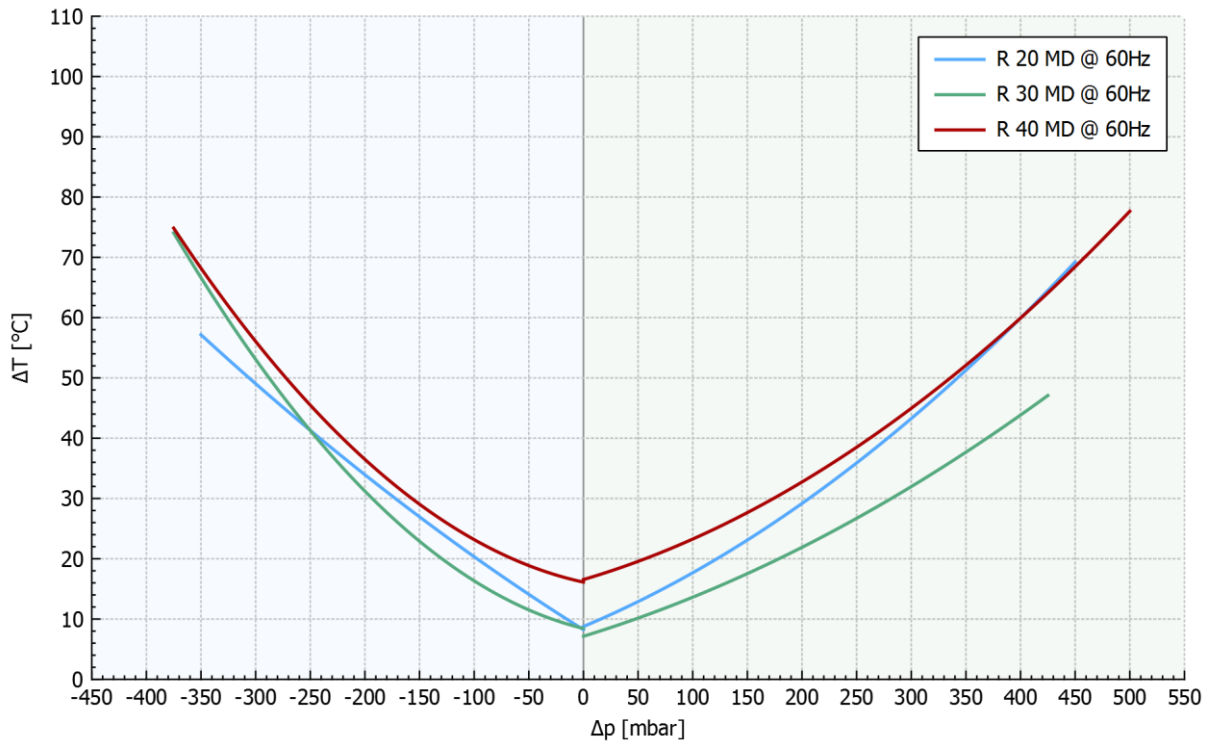
Operation @ 50 Hz



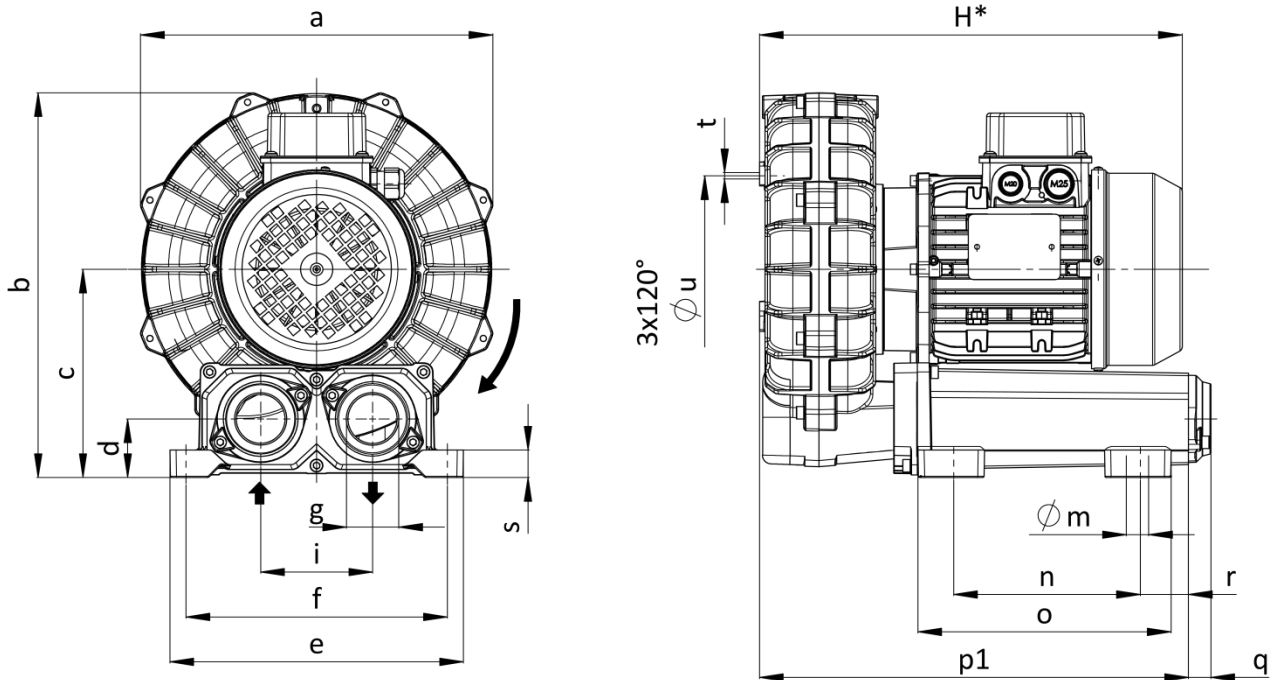
Curves referring to air at a temperature of 20 °C and atmospheric pressure of 1013 mbar (abs.).
Tolerance on indicated values $\pm 10\%$.
Data subject to change without notice.



Operation @ 60 Hz



Curves referring to air at a temperature of 20 °C and atmospheric pressure of 1013 mbar (abs.).
Tolerance on indicated values ± 10%.
Data subject to change without notice.

DIMENSIONS (MOR EXECUTION)


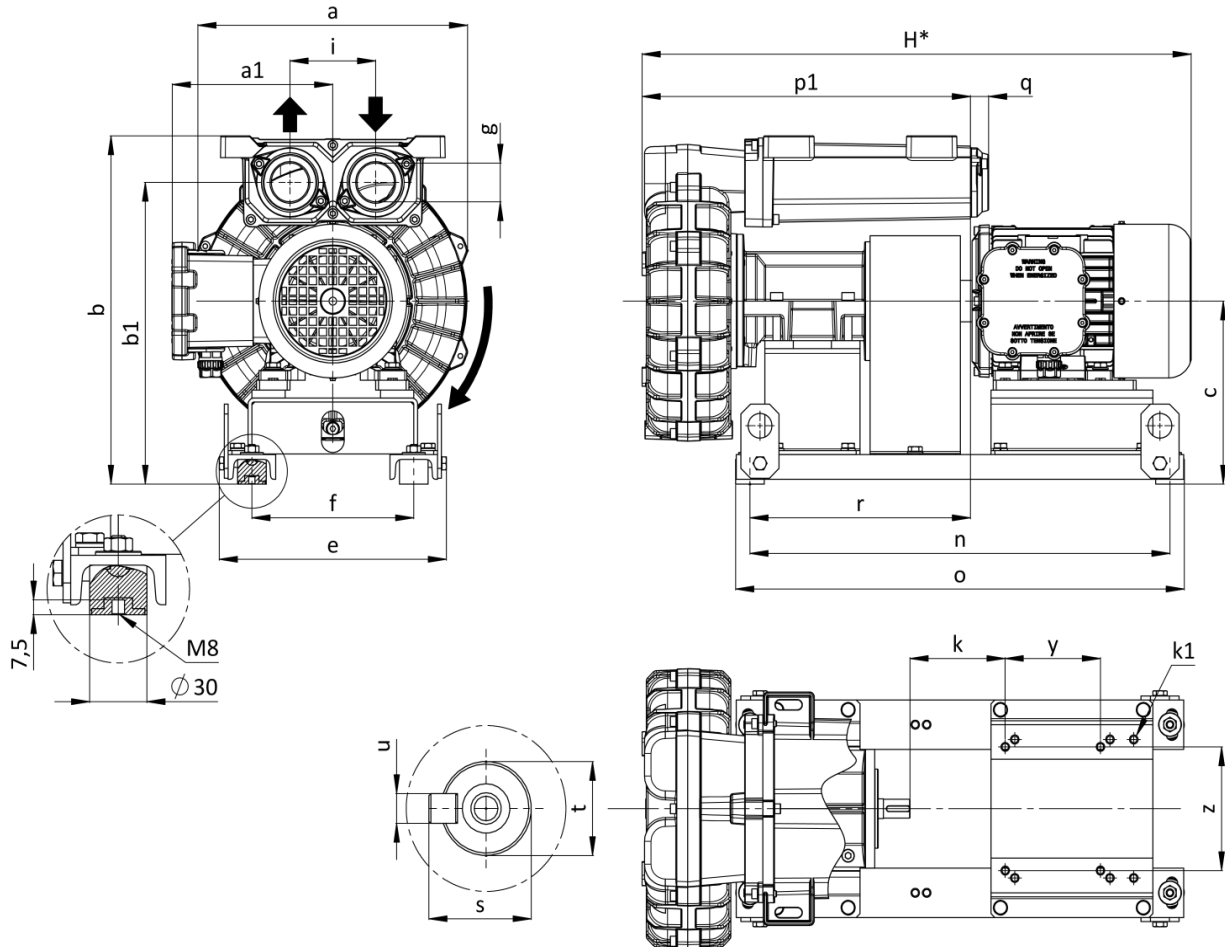
Sizes in mm - NOT BINDING

Model	a	b	c	d	e	f	g	H*	i	m	n	o	p1	q	r	s	t	u	Max weight [kg]
R20-MD	283	309	167	47	235	210	G 1"¼	340	90	10	150	200	345	18	45	22	M6	150	21
R30-MD	319	346	187	47	235	210	G 1"¼	390	90	10	150	200	354	18	45	22	M6	180	25
R40-MD	350	372	197	47	235	210	G 1"¼	440	90	10	150	200	364	18	45	22	M8	225	40

* The value indicated refers to the machine with motor of maximum length.

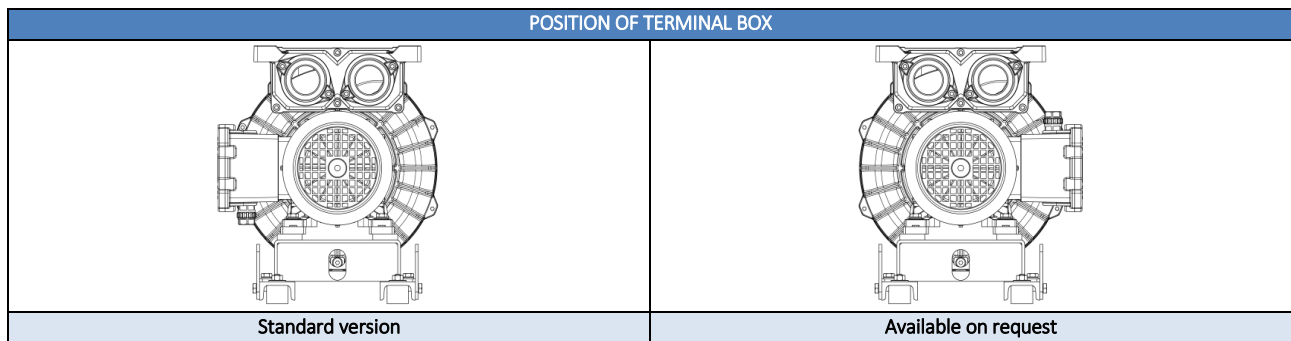


DIMENSIONS (GOR EXECUTION)



Sizes in mm - NOT BINDING

Model	M.E.	a	a1	b	b1	c	e	f	g	H*	i	k	k1	n	o	p1	q	r	s	t	u	y	z	Max weight ¹ [kg]
R20-MD	GR. 80 B3	283	169	352	305	185	239	170	G 1"¼	577	90	100	M8	445	475	345	18	234	21.5	19	6	100	125	23
	GR. 80 B3	319	169	372	325	185	239	170	G 1"¼	583	90	100	M8	445	475	354	18	237	21.5	19	6	100	125	26
R30-MD	GR. 90S B3		174									606											110	
R40-MD	GR. 90L B3	350	174	402	355	205	259	190	G 1"¼	711	90	111	M8	560	590	364	18	233	31	28	8	125	140	34
	R40-MD		GR. 100 B3									185										742	128	



^{*} The value indicated refers to the machine with motor of maximum length.
¹ The value indicated refers to the weight of the machine without electric motor.

FPZ, Inc
Saukville, Wisconsin
USA
usa@fpz.com

FPZ México/LA
Zapopan, Jalisco
México
mexico@fpz.com

FPZ España & Portugal

Barcelona
España
iberica@fpz.com

FPZ France S.a.r.l.

St. Priest
France
france@fpz.com

HEADQUARTERS

FPZ S.p.A.
Concorezzo (MB)
Italy
info@fpz.com

FPZ UK

Andover, Hampshire
United Kingdom
uk@fpz.com

FPZ Austria & Germany

Krems
Austria
vertrieb@fpz.com